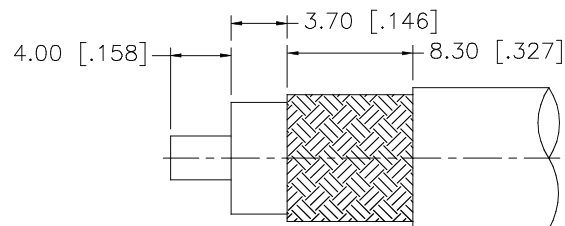
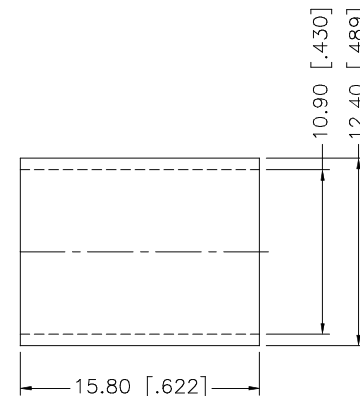
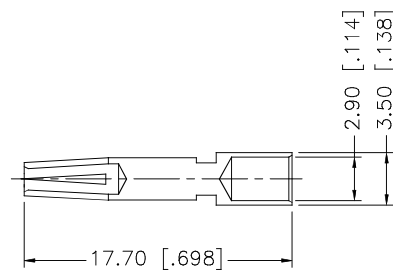
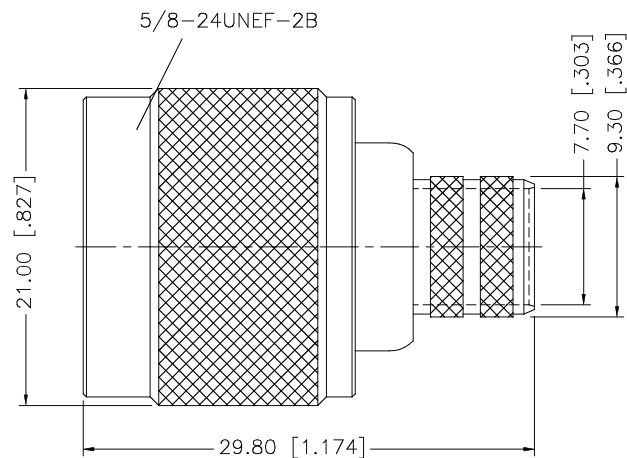


REV.	DATE	DESCRIPTION
A	01/30/04	UPDATE DRAWING FORMAT



RECOMMENDED  
CABLE STRIPPING DIM'S

NOTE:

1. CRIMPED FERRULE  
HEX CRIMP SIZE .429"
2. CRIMPED CONTACT PIN  
HEX CRIMP SIZE .118"

8					<p>UNLESS OTHERWISE SPECIFIED DIMENSIONS ARE IN MILLIMETERS, DIMENSIONS IN [ ] ARE IN INCHES AND FOR CUSTOMER REFERENCE ONLY.</p> <p>UNLESS OTHERWISE SPECIFIED TOLERANCES FOR MILLIMETERS ARE:  0.5 - 8mm ± 0.20mm  8 - 30mm ± 0.40mm  30 - 120mm ± 0.50mm</p> <p>UNLESS OTHERWISE SPECIFIED TOLERANCES FOR INCHES ARE:  .020 - .315 = ± 0.007"  .315 - 1.180 = ± 0.015"  1.180 - 4.724 = ± 0.020"</p> <p>DO NOT SCALE DRAWING</p>	APPROVALS	DATE	<h1 style="color: blue; text-align: center;">Amphenol Connex</h1>			
7						DRAWN	G.R.S.				01/30/04
6						CHECKED			PART DESCRIPTION		
5						ISSUED			N CRIMP PLUG, REVERSE POLARIZED BELDEN 9913, 9914 BRAND REX H243 + LMR 400		
4	FERRULE	COPPER	NEXCOTE	1		SHEET	1 OF 1		PART NO.		
3	CONTACT PIN	PHOS. BRONZE	GOLD	1					172102H243RP		
2	INSULATOR	TEFLON	NATURAL	1					DWG. NO. 172102H243RP.DWG		
1	BODY	BRASS	NEXCOTE	1					REV. A	SIZE A	SCALE NA

CABLE TYPES								
<b>ANDREW</b>	CNT100	CNT195	CNT200	CNT300	CNT240	CNT400	CNT500	CNT600
<b>RG</b>	RG 316	RG 58			RG 8X	B7810A		
<b>BELDEN</b>	B7805A	B7806A	B7807A	B7809A	B7808A	B9913/B7810A		
<b>TIMES</b>	LMR 100	LMR 195	LMR 200	LMR 300	LMR 240	LMR 400	LMR 500	LMR 600
<b>COMMSCOPE</b>		WBC 195	WBC 200	WBC 300	WBC 240	WBC 400	WBC 500	WBC 600
<b>AMPHENOL</b>					TWB 2401	TWB 4001		TWB 6001

<b>BNC Plug</b>	112132	112116	112597	112700	112533	112563		112742
<b>BNC Jack</b>	112160	112144	112598		112605	112603		
<b>BNC Right Angle Plug</b>	112178	112162	112599		112601	112596		
<b>BNC Bulkhead Jack</b>	112234	112202	112600		112602	112604		
<b>BNC Panel Jack</b>	112288	112272						

<b>TNC Plug</b>	122116	122108	122410	122471	122408	122393		122417
<b>TNC Right Angle Plug</b>	122148	122140	122411	122509	122414	122416		122464
<b>TNC Jack</b>	122138	122122	122412	122522	122409	122392		122418
<b>TNC Bulkhead Jack</b>	122192	122160	122413		122415	122405		122477
<b>TNC Panel Jack</b>	122246	122330			122523			

<b>N Plug</b>	172128	172100	172214	172304	172135	172102H243	172259	172206
<b>N Plug Clamp</b>						172113H243		
<b>N Right Angle Plug</b>	172180	172177	172215		172219	172176	172267	172263
<b>N Jack</b>	172204	172103	172216	172335	172148	172203	172268	172207
<b>N Bulkhead Jack</b>	172129	172106	172217		172149	172220	172269	172264
<b>N Panel Jack</b>					172319	172314		

<b>SMA Plug</b>	132114	132113	132234		132231	132298		
<b>SMA Right Angle Plug</b>	132123	132122	132235		132239	132299		
<b>SMA Jack</b>	132117	132116	132236		132240	132332		
<b>SMA Bulkhead Jack</b>	132119	132118	132237		132241	132333		
<b>SMA Panel Jack</b>	132121	132120						

<b>Mini UHF/Plug</b>	182118	182110	182314		182302	182337		
<b>Mini UHF/Jack</b>	182117	182112	182313		182308	182338		

<b>UHF Plug</b>		182100	182100		182115	182130		
-----------------	--	--------	--------	--	--------	--------	--	--

<b>F Plug</b>	222184					222196		
<b>F Right Angle Plug</b>					222196			

<b>7/16 Plug</b>	272172	272103			272187	272107		272108
<b>7/16 Right Angle Plug</b>		272111			272196	272115		272116
<b>7/16 Jack</b>		272140			272193	272144		272145
<b>7/16 Bulkhead Jack</b>		272151			272185	272155		272156

Most connectors are presently available with reverse polarized contact. Add RP to connector part number for reverse polarized part. TNC, N and SMA connectors also available with left hand (reverse thread). Add RT to connector part number. Contact Amphenol Connex marketing for availability.