

Distributed by:

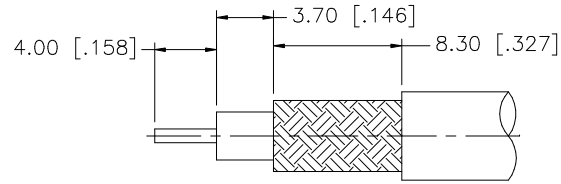
**JAMECO<sup>®</sup>**  
**ELECTRONICS**

[www.Jameco.com](http://www.Jameco.com) ♦ 1-800-831-4242

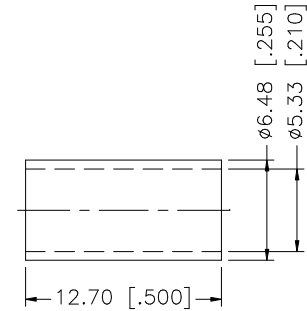
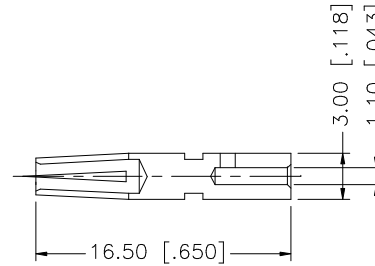
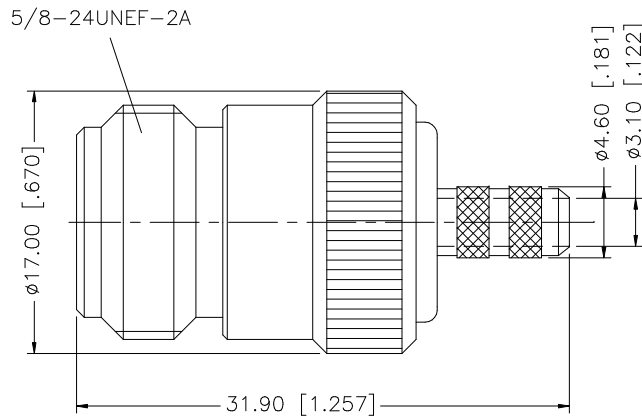
The content and copyrights of the attached  
material are the property of its owner.

Jameco Part Number 296489

REV.	DATE	DESCRIPTION
A	04/31/03	UPDATE DRAWING FORMAT



RECOMMENDED  
CABLE STRIPPING DIM'S



NOTE:

1. CRIMPED FERRULE  
HEX CRIMP SIZE .213"
2. CRIMPED CONTACT PIN  
HEX CRIMP SIZE .100"

8					UNLESS OTHERWISE SPECIFIED DIMENSIONS ARE IN MILLIMETERS. DIMENSIONS IN [ ] ARE IN INCHES AND FOR CUSTOMER REFERENCE ONLY.	APPROVALS	DATE	<h1 style="color: blue; text-align: center;">Amphenol Connex</h1>							
7						DRAWN	G.R.S.					04/31/03			
6					UNLESS OTHERWISE SPECIFIED TOLERANCES FOR MILLIMETERS ARE: 0.5 - 8mm ± 0.20mm 8 - 30mm ± 0.40mm 30 - 120mm ± 0.50mm	CHECKED		PART DESCRIPTION							
5						ISSUED			<b>N CRIMP JACK (FOR RG-58/U, 141/U CABLE)</b>						
4	FERRULE	COPPER	NEXCOTE	1	UNLESS OTHERWISE SPECIFIED TOLERANCES FOR INCHES ARE: .020 - .315 = ± 0.007" .315 - 1.180 = ± 0.015" 1.180 - 4.724 = ± 0.020"	SHEET	1 OF 1	PART NO.							
3	CONTACT PIN	PHOS. BRONZE	GOLD	1		CAD FILE			<b>172103</b>						
2	INSULATOR	TEFLON	NATURAL	1				DWG. NO.							
1	BODY	BRASS	NEXCOTE	1	DO NOT SCALE DRAWING				172103.DWG	REV.	A	SIZE	A	SCALE	NA