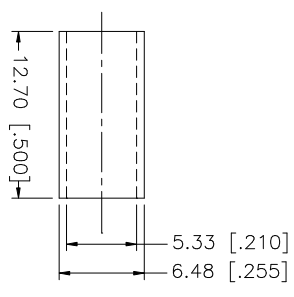
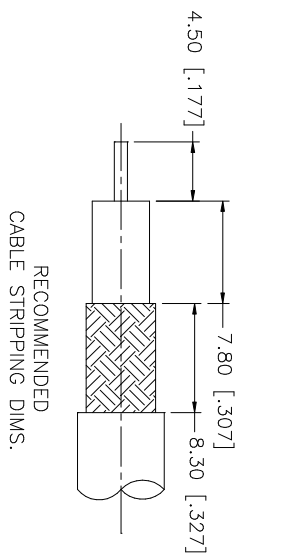
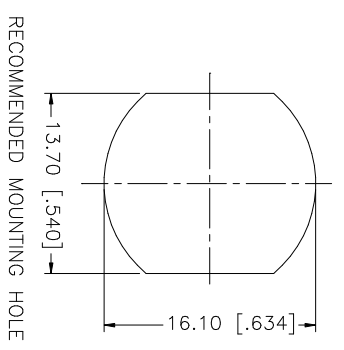
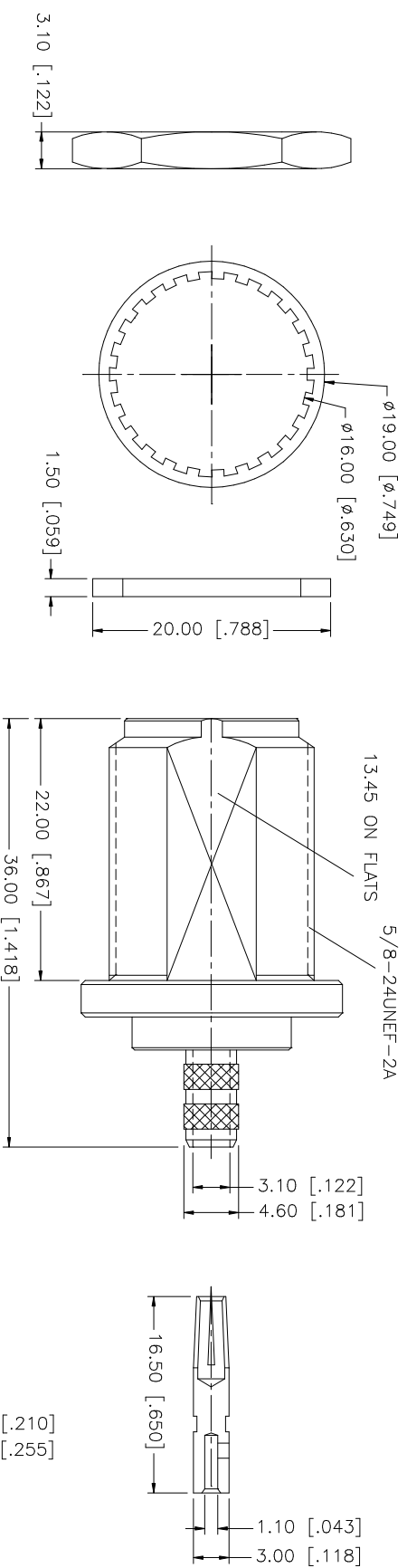


REV.	DATE	DESCRIPTION
A	06/05/03	UPDATE DRAWING FORMAT



- NOTE:
1. CRIMPED FERRULE
HEX CRIMP SIZE :.213"
 2. CRIMPED CONTACT PIN
HEX CRIMP SIZE :.100"

QTY	FINISH	MATERIAL	DESCRIPTION
1	NEXCOTE	COPPER	FERRULE
1	RED	SILICONE	GASKET
1	NEXCOTE	BRASS	HEX NUT
1	NEXCOTE	BRASS	LOCK WASHER
1	GOLD	PHOS. BRONZE	CONTACT PIN
1	NATURAL	TEFLON	INSULATOR
1	NEXCOTE	BRASS	BODY
			DESCRIPTION

UNLESS OTHERWISE SPECIFIED DIMENSIONS ARE IN MILLIMETERS DIMENSIONS IN [] ARE IN INCHES AND FOR CUSTOMER REFERENCE ONLY. TOLERANCES FOR MILLIMETERS ARE:	APPROVALS	DATE
0.5 - 8mm ± 0.20mm	DRAWN G.R.S.	06/05/03
8 - 30mm ± 0.40mm	CHECKED	
30 - 120mm ± 0.50mm	ISSUED	
UNLESS OTHERWISE SPECIFIED TOLERANCES FOR INCHES ARE:	SHEET 1 OF 1	
.020 - .315 = ± 0.007"	CAD FILE C:/172/172106.DWG	
.315 - 1.180 = ± 0.015"	DWG. NO. 172106.DWG	
1.180 - 4.724 = ± 0.020"	REV. NC	
	SIZE A	
	SCALE NA	

PART DESCRIPTION	PART NO.
N BULKHEAD CRIMP JACK	1721076

Amphenol **Comnex**