

Distributed by:

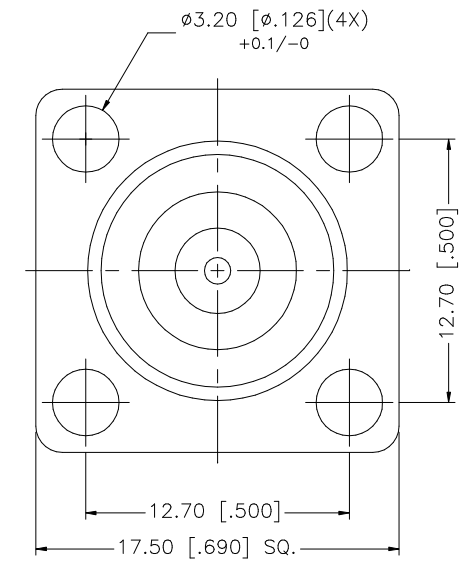
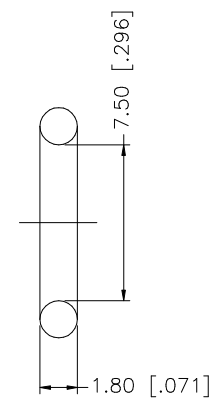
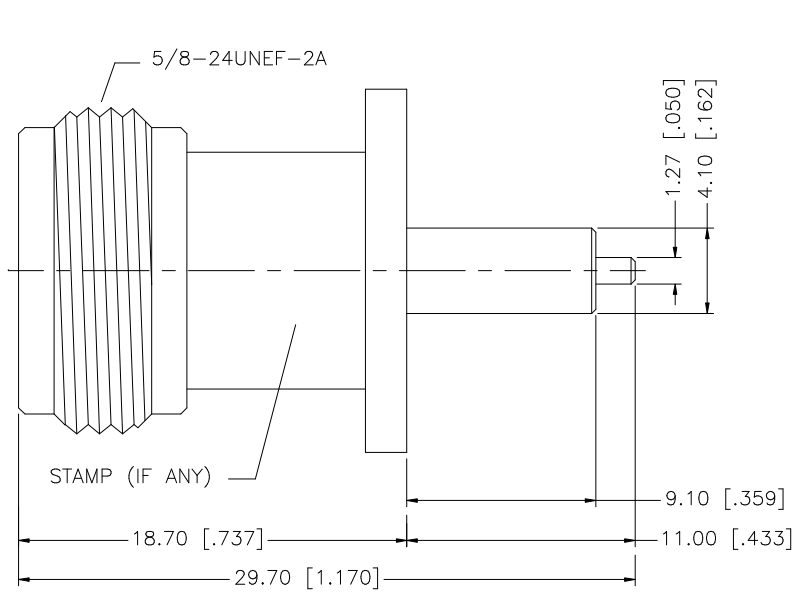
**JAMECO<sup>®</sup>**  
**ELECTRONICS**

[www.Jameco.com](http://www.Jameco.com) ♦ 1-800-831-4242

The content and copyrights of the attached  
material are the property of its owner.

Jameco Part Number 659251

REV.	DATE	DESCRIPTION
A	06/05/03	UPDATE DRAWING FORMAT



8				
7				
6				
5				
4	GASKET	SILICONE	RED	1
3	CONTACT PIN	PHOS. BRONZE	GOLD	1
2	INSULATOR	TEFLON	NATURAL	1
1	BODY	BRASS	NEXCOTE	1
	DESCRIPTION	MATERIAL	FINISH	QTY

UNLESS OTHERWISE SPECIFIED DIMENSIONS ARE IN MILLIMETERS. DIMENSIONS IN [ ] ARE IN INCHES AND FOR CUSTOMER REFERENCE ONLY.

UNLESS OTHERWISE SPECIFIED TOLERANCES FOR MILLIMETERS ARE:  
0.5 - 8mm ± 0.20mm  
8 - 30mm ± 0.40mm  
30 - 120mm ± 0.50mm

UNLESS OTHERWISE SPECIFIED TOLERANCES FOR INCHES ARE:  
.020 - .315 = ± 0.007"  
.315 - 1.180 = ± 0.015"  
1.180 - 4.724 = ± 0.020"

DO NOT SCALE DRAWING

APPROVALS	DATE
DRAWN G.R.S.	06/05/03
CHECKED	
ISSUED	
SHEET 1 OF 1	
CAD FILE	C:/172/172117.DWG

**Amphenol Connex**

PART DESCRIPTION  
**N PANEL RECEPTACLE JACK  
EXTENDED TEFLON (.359"/.433")**

PART NO.  
**172117**

DWG. NO.	172117.DWG	REV.	A	SIZE	A	SCALE	NA
----------	------------	------	---	------	---	-------	----