

Distributed by:

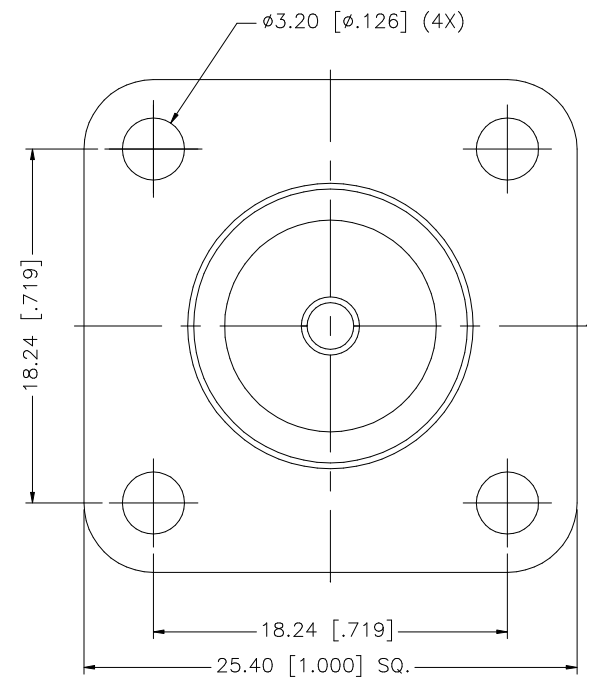
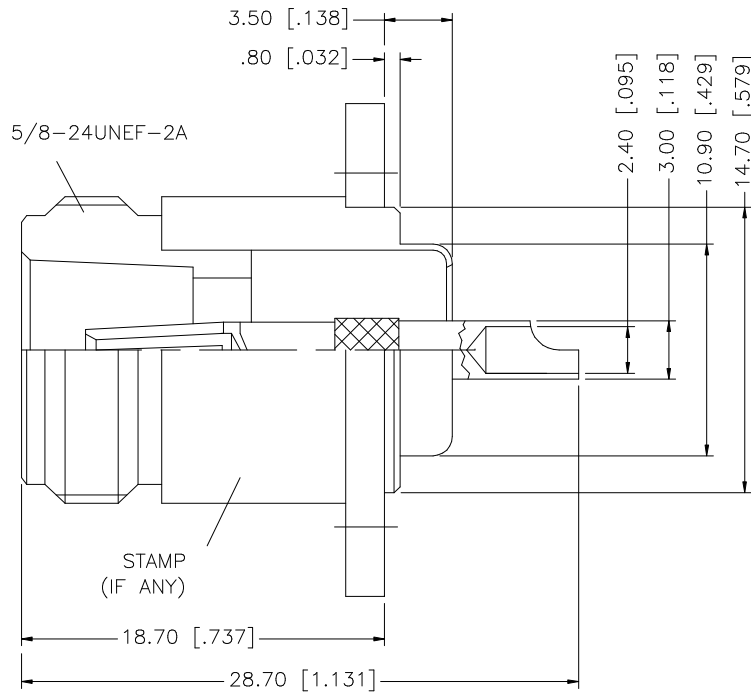
**JAMECO<sup>®</sup>**  
**ELECTRONICS**

[www.Jameco.com](http://www.Jameco.com) ♦ 1-800-831-4242

The content and copyrights of the attached  
material are the property of its owner.

Jameco Part Number 659278

REV.	DATE	DESCRIPTION
A	06/05/03	UPDATE DRAWING FORMAT



8					<small>UNLESS OTHERWISE SPECIFIED DIMENSIONS ARE IN MILLIMETERS. DIMENSIONS IN [ ] ARE IN INCHES AND FOR CUSTOMER REFERENCE ONLY.</small> <small>UNLESS OTHERWISE SPECIFIED TOLERANCES FOR MILLIMETERS ARE:</small> 0.5 - 8mm ± 0.20mm 8 - 30mm ± 0.40mm 30 - 120mm ± 0.50mm <small>UNLESS OTHERWISE SPECIFIED TOLERANCES FOR INCHES ARE:</small> .020 - .315 = ± 0.007" .315 - 1.180 = ± 0.015" 1.180 - 4.724 = ± 0.020"	APPROVALS	DATE	<h1 style="color: blue;">Amphenol Connex</h1>						
7				DRAWN		G.R.S.	06/05/03							
6				CHECKED				<b>PART DESCRIPTION</b>  <b>N PANEL RECEPTACLE JACK</b>						
5				ISSUED										
4				SHEET	1 OF 1		<b>PART NO.</b>  <b>172119</b>							
3	CONTACT PIN	PHOS. BRONZE	GOLD	1										
2	INSULATOR	TEFLON	NATURAL	1			<b>DWG. NO.</b> 172119.DWG							
1	BODY	BRASS	NEXCOTE	1										
	DESCRIPTION	MATERIAL	FINISH	QTY	DO NOT SCALE DRAWING		CAD FILE	C:/172/172119.DWG	REV.	A	SIZE	A	SCALE	NA