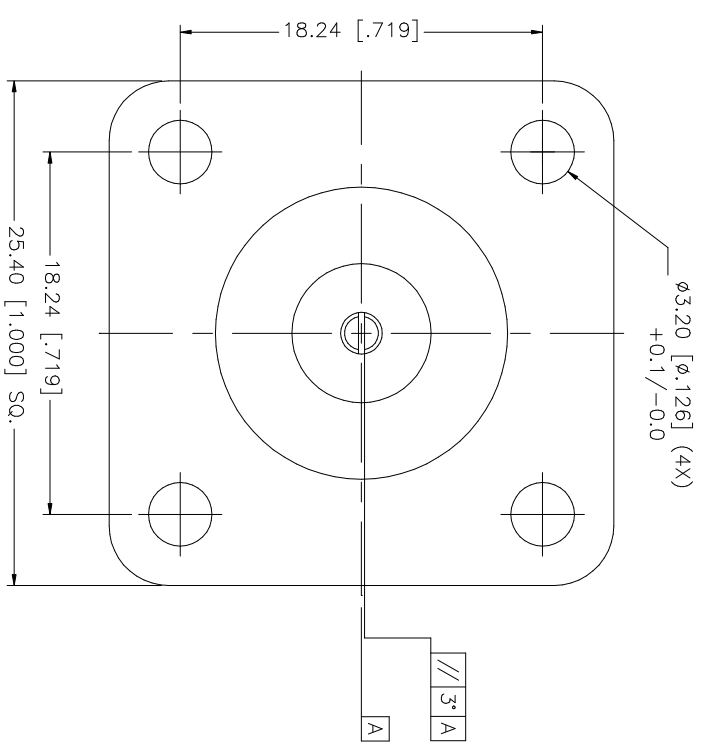
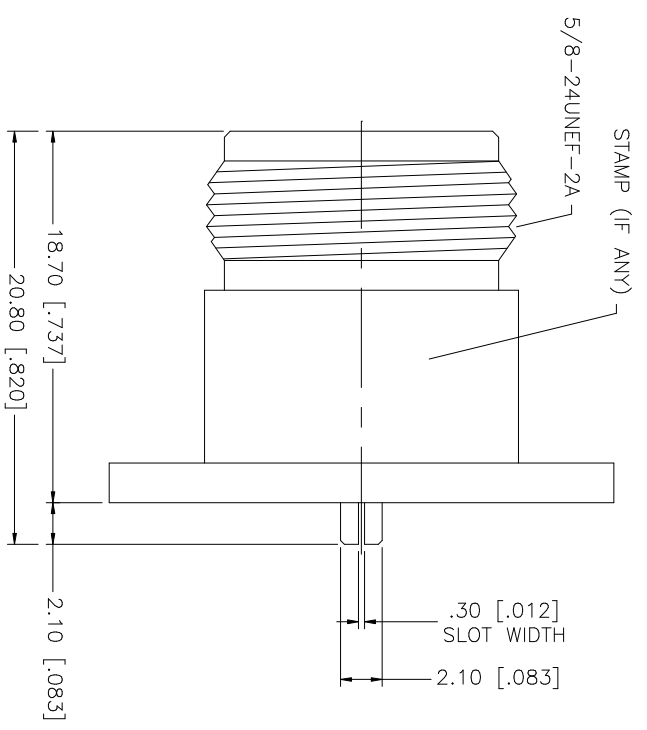


| REV. | DATE     | DESCRIPTION           |
|------|----------|-----------------------|
| A    | 06/05/03 | UPDATE DRAWING FORMAT |



|   |             |              |         |     |  |  |  |
|---|-------------|--------------|---------|-----|--|--|--|
| 8 |             |              |         |     |  |  | UNLESS OTHERWISE SPECIFIED DIMENSIONS ARE IN MILLIMETERS. DIMENSIONS IN [ ] ARE IN INCHES AND FOR CUSTOMER REFERENCE ONLY. |
| 7 |             |              |         |     |  |  | UNLESS OTHERWISE SPECIFIED TOLERANCES FOR MILLIMETERS ARE:   |
| 6 |             |              |         |     |  |  | 0.5 - 8mm ± 0.20mm   |
| 5 |             |              |         |     |  |  | 8 - 30mm ± 0.40mm  |
| 4 |             |              |         |     |  |  | 30 - 120mm ± 0.50mm  |
| 3 | CONTACT PIN | PHOS. BRONZE | GOLD    | 1   |  |  | UNLESS OTHERWISE SPECIFIED TOLERANCES FOR INCHES ARE:  |
| 2 | INSULATOR   | TEFLON       | NATURAL | 1   |  |  | .020 - .315 = ± 0.007"   |
| 1 | BODY        | BRASS        | NEXCOTE | 1   |  |  | .315 - 1.180 = ± 0.015"  |
|   | DESCRIPTION | MATERIAL     | FINISH  | QTY |  |  | 1.180 - 4.174 = ± 0.020"   |

| APPROVALS                  | DATE     | PART DESCRIPTION   |
|----------------------------|----------|--|
| DRAWN G.R.S.               | 06/05/03 | <p style="text-align: center;"><b>Amphenol Connex</b></p> <p style="text-align: center;">N PANEL RECEPTACLE JACK</p> |
| CHECKED                    |          |  |
| ISSUED                     |          |  |
| SHEET 1 OF 1               |          |  |
| CAD FILE C:/172/172121.DWG |          | PART NO. 172121  |
| DWG. NO. 172121.DWG        |          | REV. A   |
|                            |          | SIZE A   |
|                            |          | SCALE NA   |