

Distributed by:

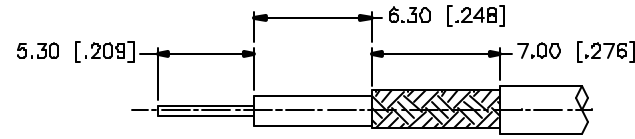
JAMECO[®]
ELECTRONICS

www.Jameco.com ♦ 1-800-831-4242

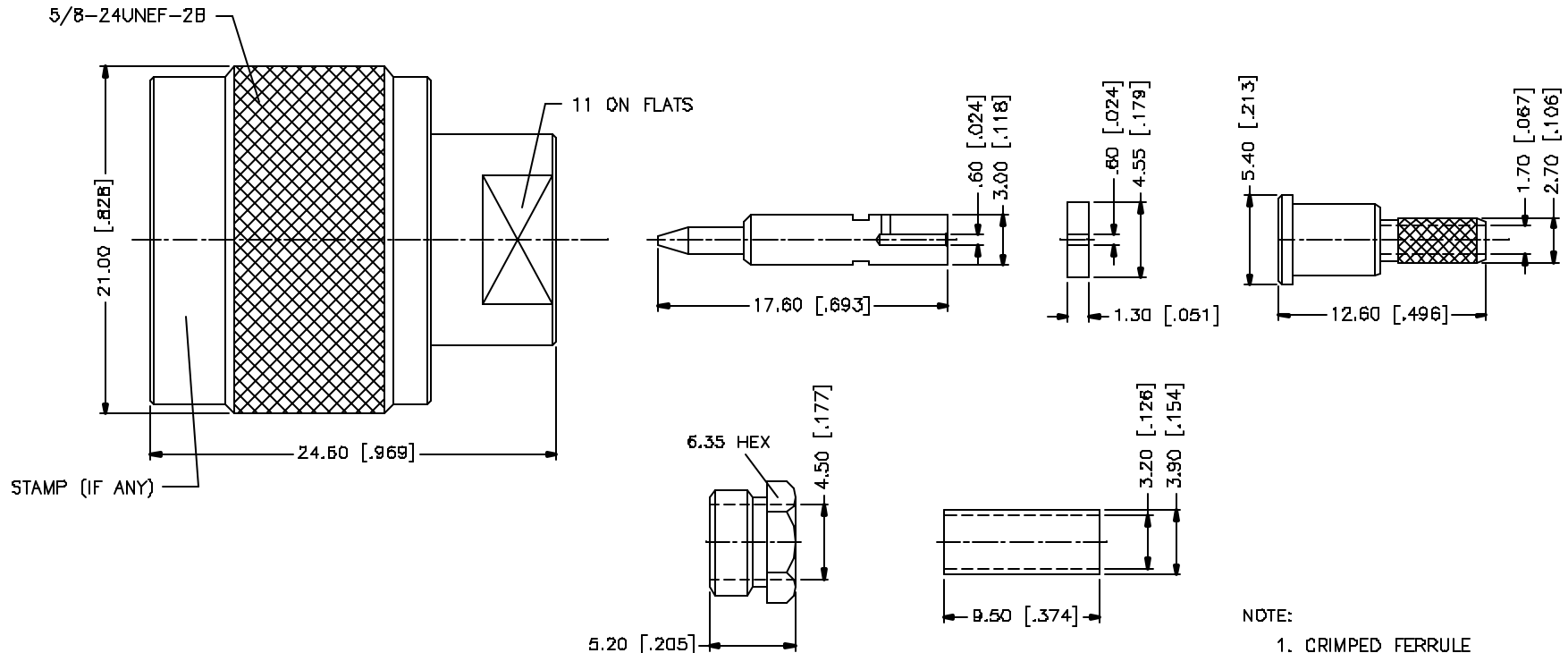
The content and copyrights of the attached
material are the property of its owner.

Jameco Part Number 296500

REV.	DATE	DESCRIPTION
NC	05/10/04	INITIAL RELEASE



RECOMMENDED CABLE STRIPPING DIMENSIONS



- NOTE:
1. CRIMPED FERRULE
HEX CRIMP SIZE .128"
 2. CRIMPED CONTACT PIN
HEX CRIMP SIZE .100"

QTY	DESCRIPTION	MATERIAL	FINISH	QTY	UNLESS OTHERWISE SPECIFIED DIMENSIONS ARE IN MILLIMETERS. DIMENSIONS IN [] ARE IN INCHES AND FOR CUSTOMER REFERENCE ONLY.	APPROVALS	DATE	Amphenol Connex					
8								PART DESCRIPTION N CRIMP PLUG (FOR RG-174/U, 188A/U, 316/U)					
7													
8	FERRULE	COPPER	NEXCOTE	1	UNLESS OTHERWISE SPECIFIED TOLERANCES FOR MILLIMETERS ARE: 0.5 - 8mm ± 0.20mm 8 - 30mm ± 0.40mm 30 - 120mm ± 0.50mm UNLESS OTHERWISE SPECIFIED TOLERANCES FOR INCHES ARE: .020 - .315 = ± 0.007" .315 - 1.180 = ± 0.015" 1.180 - 4.724 = ± 0.020"	DRAWN	G.R.S.	05/10/04	PART NO. 172128				
5	HEX NUT	BRASS	NEXCOTE	1		CHECKED							
4	BARREL	BRASS	NEXCOTE	1		ISSUED							
3	CONTACT PIN	BRASS	GOLD	1	SHEET	1 OF 1		DWC. NO. 172128.DWG					
2	INSULATOR	TEFLON	NATURAL	2				REV.	NC	SIZE	A	SCALE	NA
1	SHELL/BODY	BRASS	NEXCOTE	1				C:/172/172128.DWG					
					DO NOT SCALE DRAWING								