

Distributed by:

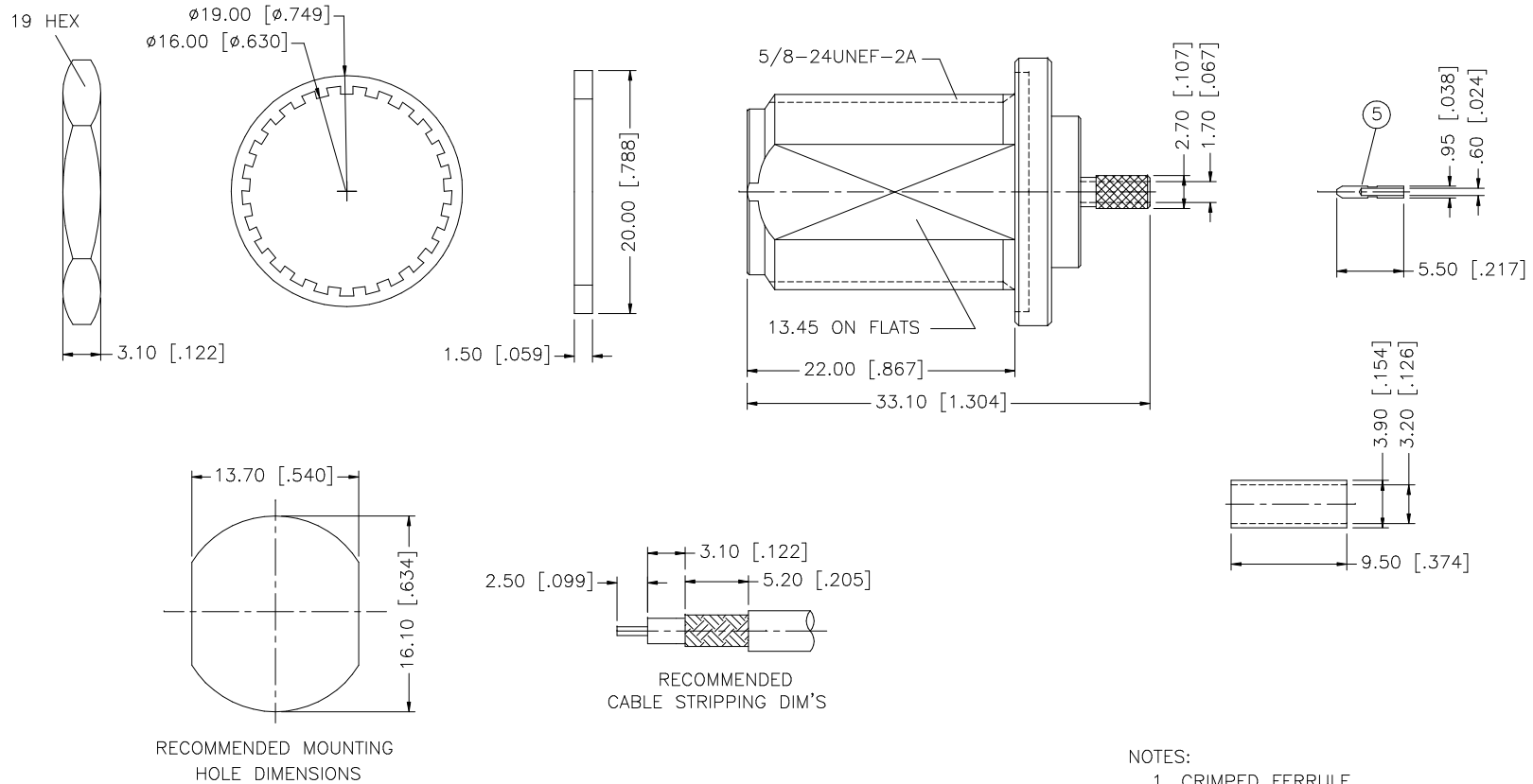
JAMECO[®]
ELECTRONICS

www.Jameco.com ♦ 1-800-831-4242

The content and copyrights of the attached
material are the property of its owner.

Jameco Part Number 296518

REV.	DATE	DESCRIPTION
A	04/31/03	UPDATE DRAWING FORMAT



QTY	FINISH	MATERIAL	DESCRIPTION
1	NEXCOTE	BRASS	BODY
1	NEXCOTE	TEFLON	INSULATOR
1	GOLD	PHOS. BRONZE	CONTACT PIN
1	NEXCOTE	BRASS	LOCK WASHER
1	NEXCOTE	BRASS	HEX NUT
1	RED	SILICONE	GASKET
1	NEXCOTE	COPPER	FERRULE
8			

UNLESS OTHERWISE SPECIFIED DIMENSIONS ARE IN MILLIMETERS. DIMENSIONS IN [] ARE IN INCHES AND FOR CUSTOMER REFERENCE ONLY.	APPROVALS	DATE	<h1 style="color: blue;">Amphenol Connex</h1> <p>N BULKHEAD CRIMP JACK (FOR RG-174/U, 188A/U, 316/U)</p>		
UNLESS OTHERWISE SPECIFIED TOLERANCES FOR MILLIMETERS ARE: 0.5 - 8mm ± 0.20mm 8 - 30mm ± 0.40mm 30 - 120mm ± 0.50mm UNLESS OTHERWISE SPECIFIED TOLERANCES FOR INCHES ARE: .020 - .315 = ± 0.007" .315 - 1.180 = ± 0.015" 1.180 - 4.724 = ± 0.020" DO NOT SCALE DRAWING	DRAWN	G.R.S.		04/31/03	
	CHECKED				
	ISSUED				
	SHEET	1 OF 1			
	CAD FILE	C:/172/172129.DWG			
	DWG. NO.	172129.DWG	REV. A	SIZE A	SCALE NA