

Distributed by:

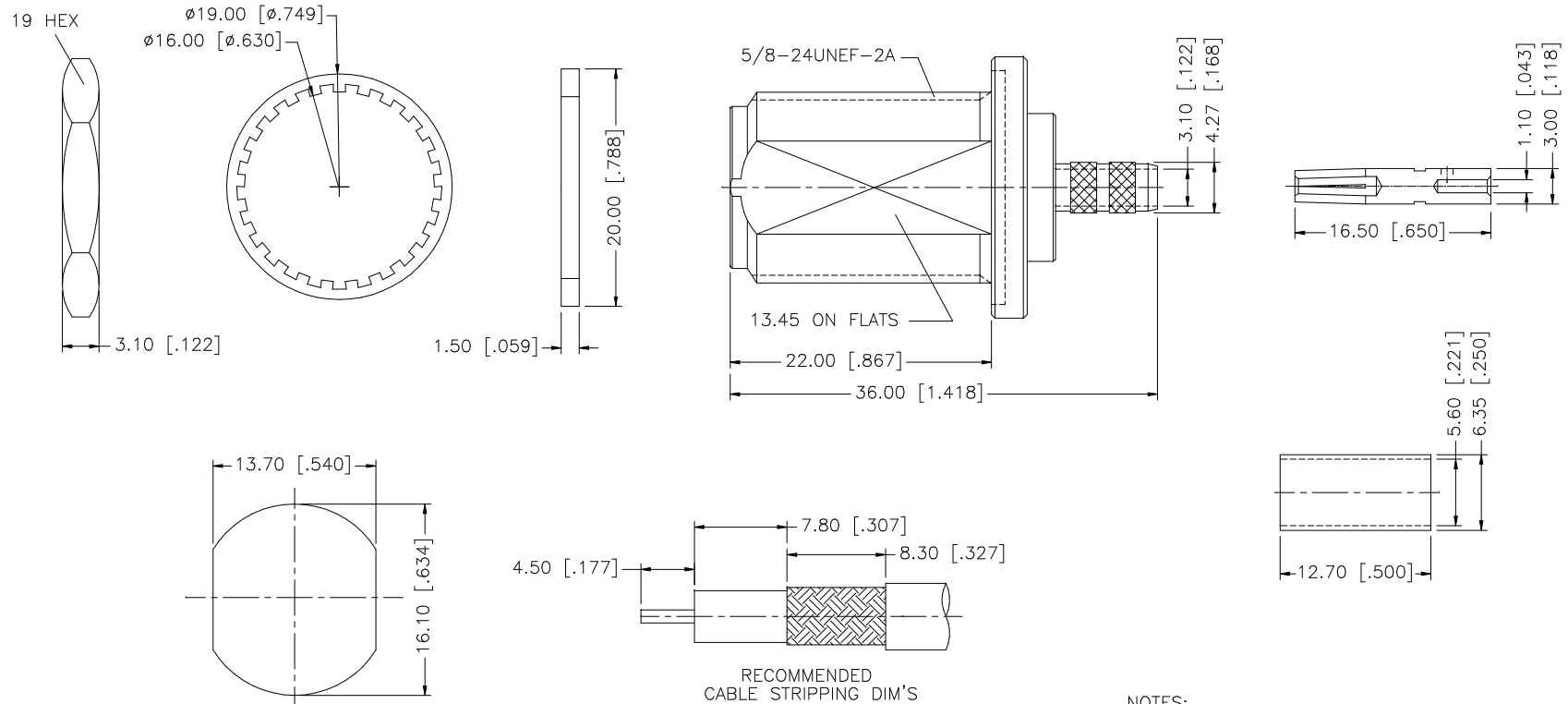
**JAMECO<sup>®</sup>**  
**ELECTRONICS**

[www.Jameco.com](http://www.Jameco.com) ♦ 1-800-831-4242

The content and copyrights of the attached  
material are the property of its owner.

Jameco Part Number 296526

REV.	DATE	DESCRIPTION
A	01/30/04	UPDATE DRAWING FORMAT



RECOMMENDED MOUNTING HOLE DIMENSIONS

RECOMMENDED CABLE STRIPPING DIM'S

NOTES:

1. CRIMPED FERRULE  
HEX CRIMP SIZE .213"
2. CRIMPED CONTACT PIN  
HEX CRIMP SIZE .100"
3. MAX. PANEL THICKNESS = 6.5mm
4. RETURN LOSS: 22dB UP TO 4 GHz

QTY	FINISH	MATERIAL	DESCRIPTION
1	NEXCOTE	BRASS	BODY
1	NEXCOTE	TEFLON	INSULATOR
1	GOLD	PHOS. BRONZE	CONTACT PIN
1	NEXCOTE	BRASS	LOCK WASHER
1	NEXCOTE	BRASS	HEX NUT
1	RED	SILICONE	GASKET
1	NEXCOTE	COPPER	FERRULE
8			

UNLESS OTHERWISE SPECIFIED DIMENSIONS ARE IN MILLIMETERS. DIMENSIONS IN [ ] ARE IN INCHES AND FOR CUSTOMER REFERENCE ONLY.		APPROVALS	DATE	<h1 style="color: blue; margin: 0;">Amphenol Connex</h1> <p style="text-align: center; margin: 0;">PART DESCRIPTION N BULKHEAD CRIMP JACK (FOR RG-55/U, 142A/U, 223/U, 400/U)</p> <p style="text-align: center; margin: 0;">PART NO. 172132</p>
UNLESS OTHERWISE SPECIFIED TOLERANCES FOR MILLIMETERS ARE: 0.5 - 8mm ± 0.20mm 8 - 30mm ± 0.40mm 30 - 120mm ± 0.50mm		DRAWN	G.R.S. 01/30/04	
UNLESS OTHERWISE SPECIFIED TOLERANCES FOR INCHES ARE: .020 - .315 = ± 0.007" .315 - 1.180 = ± 0.015" 1.180 - 4.724 = ± 0.020"		CHECKED		
DO NOT SCALE DRAWING		ISSUED		
		SHEET	1 OF 1	
		CAD FILE	C:/172/172132.DWG	DWG. NO. 172132.DWG
		REV.	A	SIZE A
				SCALE NA