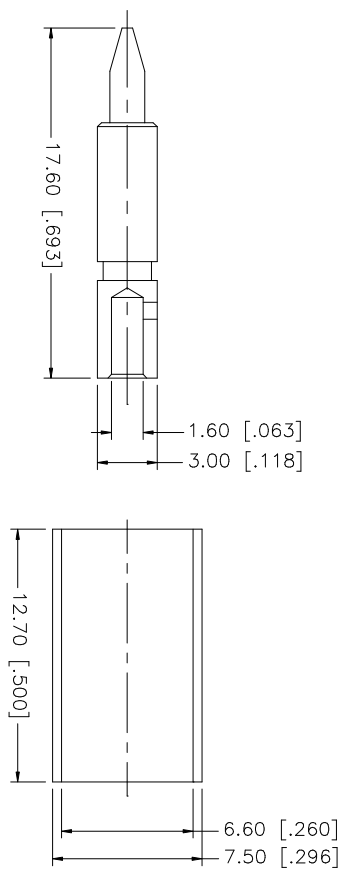
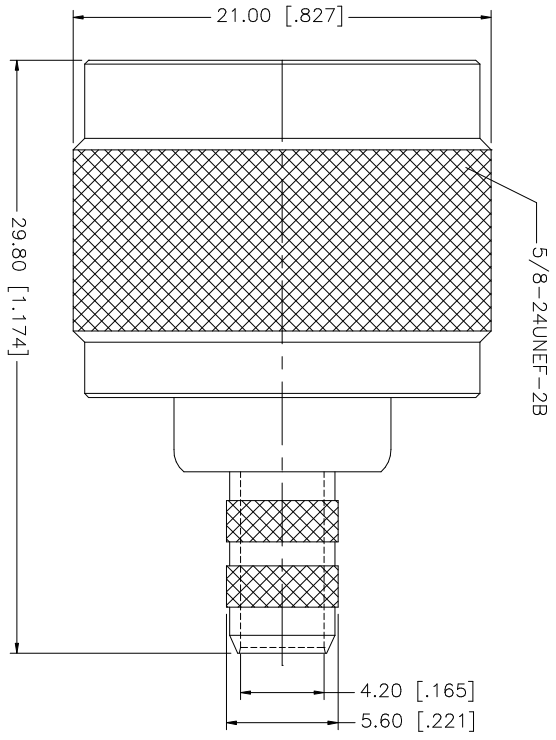
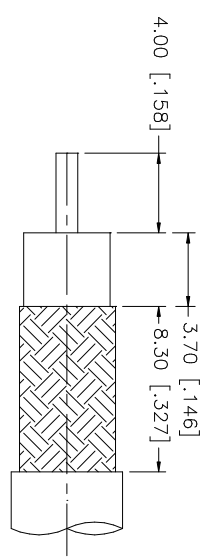


| REV. | DATE | DESCRIPTION |
|------|----------|-----------------------|
| A | 04/31/03 | UPDATE DRAWING FORMAT |



RECOMMENDED
CABLE STRIPPING DIM'S



- NOTE:
1. CRIMPED FERRULE
HEX CRIMP SIZE .255"
 2. CRIMPED CONTACT PIN
HEX CRIMP SIZE .100"

| QTY | FINISH | MATERIAL | DESCRIPTION |
|-----|---------|----------|-------------|
| 1 | NEXCOTE | COOPER | FERRULE |
| 1 | GOLD | BRASS | CONTACT PIN |
| 1 | NATURAL | TEFLON | INSULATOR |
| 1 | NEXCOTE | BRASS | BODY |

| APPROVALS | DATE |
|--------------|----------|
| DRAWN G.R.S. | 04/31/03 |
| CHECKED | |
| ISSUED | |
| SHEET 1 OF 1 | |

| PART NO. | DWG. NO. | REV. | SIZE | SCALE |
|----------|------------|------|------|-------|
| 172135 | 172135.DWG | A | A | NA |

Amphenol Connex

N CRIMP PLUG
(FOR LMR-240, RG-8/X)

CAD FILE C:/172/172135.DWG

UNLESS OTHERWISE SPECIFIED DIMENSIONS ARE IN MILLIMETERS. DIMENSIONS IN [] ARE IN INCHES AND FOR CUSTOMER REFERENCE ONLY. TOLERANCES FOR MILLIMETERS ARE:
0.5 - 8mm ± 0.20mm
8 - 30mm ± 0.40mm
30 - 120mm ± 0.50mm
UNLESS OTHERWISE SPECIFIED TOLERANCES FOR INCHES ARE:
.020 - .315 = ± 0.007"
.315 - 1.180 = ± 0.015"
1.180 - 4.174 = ± 0.020"

DO NOT SCALE DRAWING