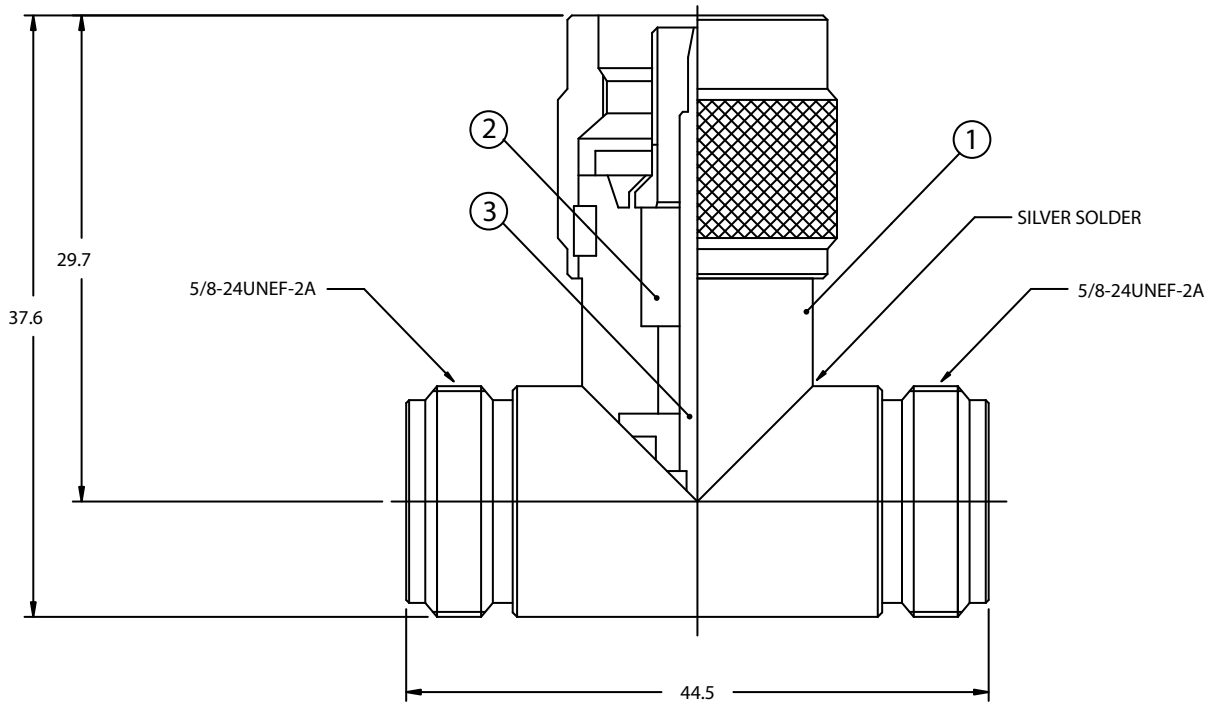



REVISIONS		DATE	DWG. NO.	SH	REV.
ZONE	LTR	DESCRIPTION		APPROVED	



DESCRIPTION	MATERIAL	FINISH	QTY
1 BODY	BRASS	NICKEL	1
2 INSULATOR	TEFLON	NATURAL	1
3 CONTACT PIN	BRASS	GOLD	1

DIMENSIONS ARE IN MILLIMETERS UNLESS OTHERWISE SPECIFIED TOLERANCES ARE:	
0.5-6	= ± 0.2
6-30	= ± 0.4
30-120	= ± 0.6
120-315	= ± 1
315-1000	= ± 1.6
1000-2000	= ± 2.4

APPROVALS	DATE
DRAWN B. BURTON	6/3/96
CHECKED	
ISSUED	



Connex
Connector Corporation

TITLE			
N "T" ADAPTOR JACK-PLUG-JACK			
SIZE	FSCM NO.	DWG. NO.	REV.
A	99001	172125 .DWG	
SCALE	PART NO.	SHEET	
3:1	172125	1 OF 1	

DO NOT SCALE DRAWING