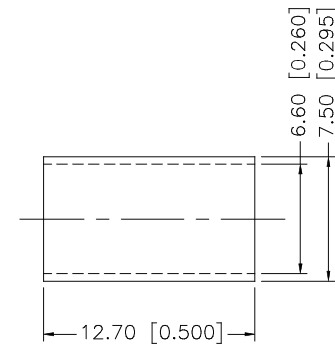
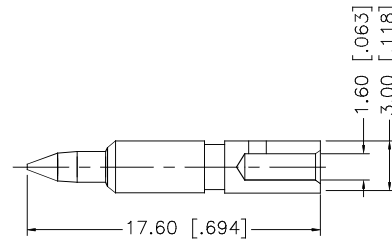
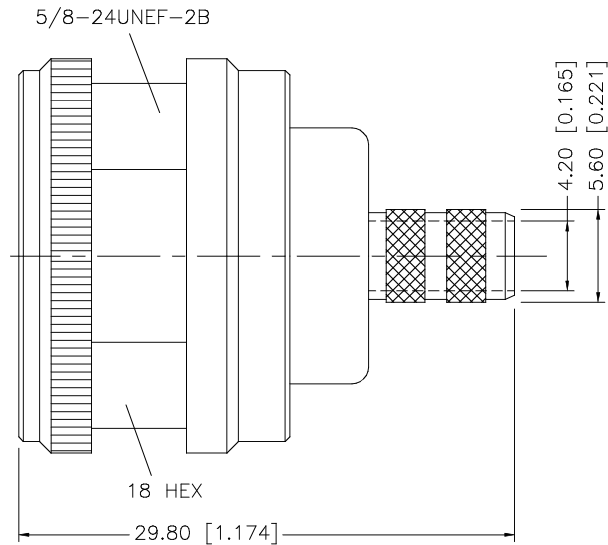
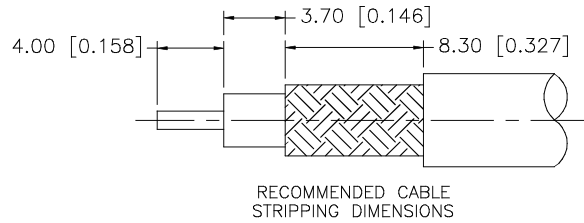


REV.	DATE	DESCRIPTION
NC	05/24/04	INITIAL RELEASE



CRIMP NOTES:

1. CRIMPED FERRULE
HEX CRIMP SIZE .255"
2. CRIMPED CONTACT PIN
HEX CRIMP SIZE .100"

REV.	DATE	DESCRIPTION			
NC	05/24/04	INITIAL RELEASE			
8					
7					
6	FERRULE	BRASS			
5	CONTACT PIN	BRASS			
4	GASKET	SILICON			
3	INSULATOR	TEFLON			
2	BARREL	BRASS			
1	BODY	BRASS			
	DESCRIPTION	MATERIAL			
		FINISH			
		QTY			
UNLESS OTHERWISE SPECIFIED DIMENSIONS ARE IN MILLIMETERS. DIMENSIONS IN [] ARE IN INCHES AND FOR CUSTOMER REFERENCE ONLY. UNLESS OTHERWISE SPECIFIED TOLERANCES FOR MILLIMETERS ARE: 0.5 - 8mm ± 0.20mm 8 - 30mm ± 0.40mm 30 - 120mm ± 0.50mm UNLESS OTHERWISE SPECIFIED TOLERANCES FOR INCHES ARE: .020 - .315 = ± 0.007" .315 - 1.180 = ± 0.015" 1.180 - 4.724 = ± 0.020"			APPROVALS DRAWN G.R.S. CHECKED ISSUED SHEET 1 OF 1 CAD FILE C:/172/172135-10.DWG	DATE 05/24/04	Amphenol Connex PART DESCRIPTION N CRIMP PLUG (FOR LMR-240, RG-8/X CABLE) PART NO. 172135-10 DWG. NO. 172135-10.DWG REV. NC SIZE A SCALE NA
DO NOT SCALE DRAWING					

CABLE TYPES								
ANDREW	CNT100	CNT195	CNT200	CNT300	CNT240	CNT400	CNT500	CNT600
RG	RG 316	RG 58			RG 8X	B7810A		
BELDEN	B7805A	B7806A	B7807A	B7809A	B7808A	B9913/B7810A		
TIMES	LMR 100	LMR 195	LMR 200	LMR 300	LMR 240	LMR 400	LMR 500	LMR 600
COMMSCOPE		WBC 195	WBC 200	WBC 300	WBC 240	WBC 400	WBC 500	WBC 600
AMPHENOL					TWB 2401	TWB 4001		TWB 6001

BNC Plug	112132	112116	112597	112700	112533	112563		112742
BNC Jack	112160	112144	112598		112605	112603		
BNC Right Angle Plug	112178	112162	112599		112601	112596		
BNC Bulkhead Jack	112234	112202	112600		112602	112604		
BNC Panel Jack	112288	112272						

TNC Plug	122116	122108	122410	122471	122408	122393		122417
TNC Right Angle Plug	122148	122140	122411	122509	122414	122416		122464
TNC Jack	122138	122122	122412	122522	122409	122392		122418
TNC Bulkhead Jack	122192	122160	122413		122415	122405		122477
TNC Panel Jack	122246	122330			122523			

N Plug	172128	172100	172214	172304	172135	172102H243	172259	172206
N Plug Clamp						172113H243		
N Right Angle Plug	172180	172177	172215		172219	172176	172267	172263
N Jack	172204	172103	172216	172335	172148	172203	172268	172207
N Bulkhead Jack	172129	172106	172217		172149	172220	172269	172264
N Panel Jack					172319	172314		

SMA Plug	132114	132113	132234		132231	132298		
SMA Right Angle Plug	132123	132122	132235		132239	132299		
SMA Jack	132117	132116	132236		132240	132332		
SMA Bulkhead Jack	132119	132118	132237		132241	132333		
SMA Panel Jack	132121	132120						

Mini UHF/Plug	182118	182110	182314		182302	182337		
Mini UHF/Jack	182117	182112	182313		182308	182338		

UHF Plug		182100	182100		182115	182130		
-----------------	--	--------	--------	--	--------	--------	--	--

F Plug	222184					222196		
F Right Angle Plug					222196			

7/16 Plug	272172	272103			272187	272107		272108
7/16 Right Angle Plug		272111			272196	272115		272116
7/16 Jack		272140			272193	272144		272145
7/16 Bulkhead Jack		272151			272185	272155		272156

Most connectors are presently available with reverse polarized contact. Add RP to connector part number for reverse polarized part. TNC, N and SMA connectors also available with left hand (reverse thread). Add RT to connector part number. Contact Amphenol Connex marketing for availability.