

Distributed by:

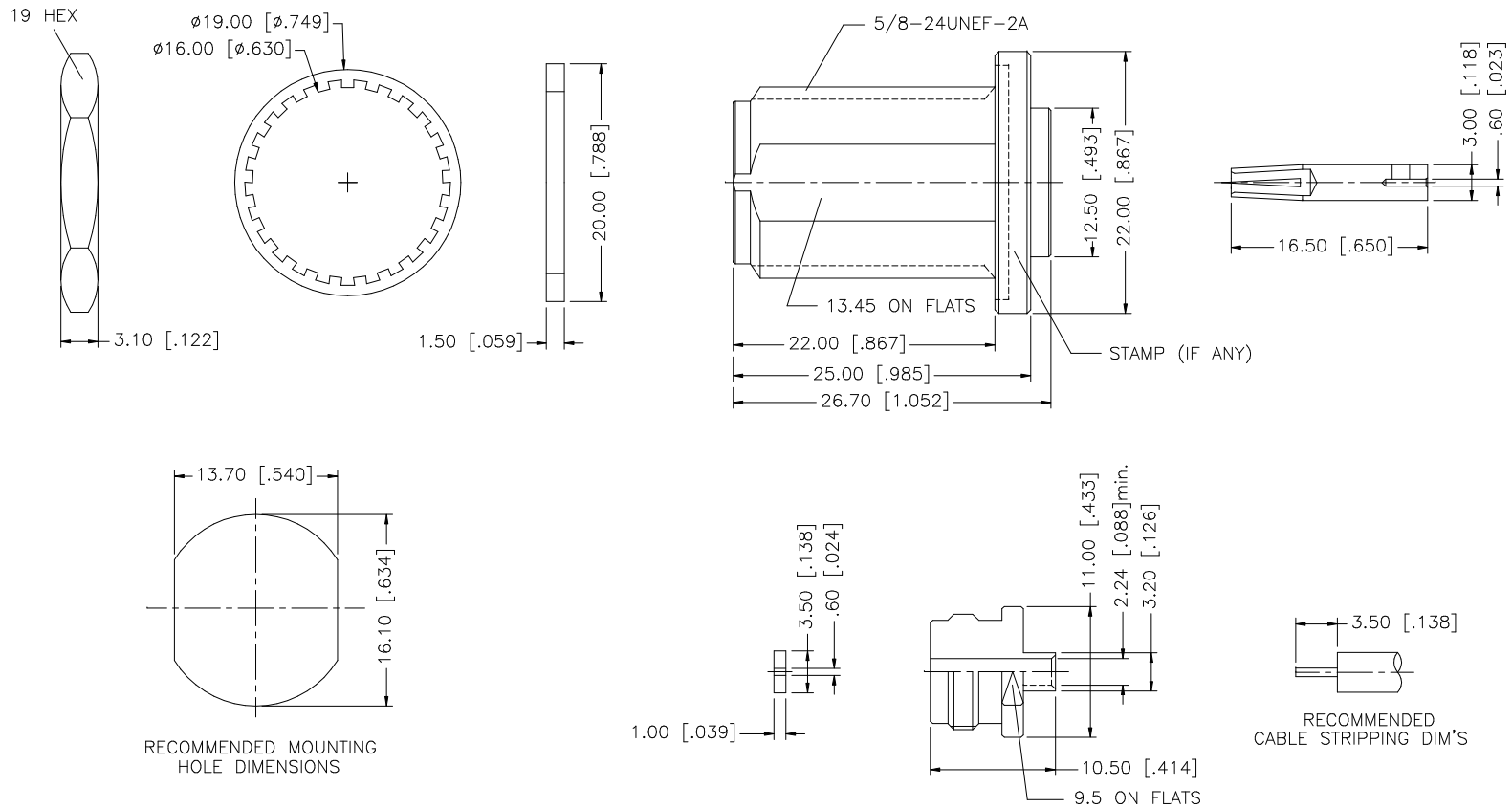
JAMECO[®]
ELECTRONICS

www.Jameco.com ♦ 1-800-831-4242

The content and copyrights of the attached
material are the property of its owner.

Jameco Part Number 296569

REV.	DATE	DESCRIPTION
A	12/09/03	UPDATE DRAWING FORMAT



NOTES:
1. CONTACT PIN SOLDER

DESCRIPTION	MATERIAL	FINISH	QTY	DO NOT SCALE DRAWING	APPROVALS	DATE	<h1 style="color: blue; margin: 0;">Amphenol Connex</h1>						
8	HEX NUT	BRASS	NEXCOTE	1	<small>UNLESS OTHERWISE SPECIFIED DIMENSIONS ARE IN MILLIMETERS. DIMENSIONS IN [] ARE IN INCHES AND FOR CUSTOMER REFERENCE ONLY.</small> <small>UNLESS OTHERWISE SPECIFIED TOLERANCES FOR MILLIMETERS ARE: 0.5 - 8mm ± 0.20mm 8 - 30mm ± 0.40mm 30 - 120mm ± 0.50mm</small> <small>UNLESS OTHERWISE SPECIFIED TOLERANCES FOR INCHES ARE: .020 - .315 = ± 0.007" .315 - 1.180 = ± 0.015" 1.180 - 4.724 = ± 0.020"</small>	12/09/03	<h2 style="margin: 0;">PART DESCRIPTION</h2> <p style="text-align: center; margin: 0;">N BULKHEAD DIRECT SOLDER JACK (FOR .085", .086" SEMI RIGID CABLE)</p>						
7	LOCK WASHER	BRASS	NEXCOTE	1		DRAWN					G.R.S.		
6	GASKET	SILICONE	RED	1		CHECKED		<p style="text-align: center; margin: 0;">PART NO.</p> <h2 style="margin: 0;">172138</h2>					
5	SOLDER NUT	BRASS	GOLD	1		ISSUED							
4	INSULATOR	TEFLON	NATURAL	1		SHEET	1 OF 1	<p style="text-align: center; margin: 0;">DWG. NO.</p> <p style="text-align: center; margin: 0;">172138.DWG</p>					
3	CONTACT PIN	PHOS. BRONZE	GOLD	1		CAD FILE	C:/172/172138.DWG					REV.	A
2	INSULATOR	TEFLON	NATURAL	1									
1	BODY	BRASS	NEXCOTE	1									