

Distributed by:

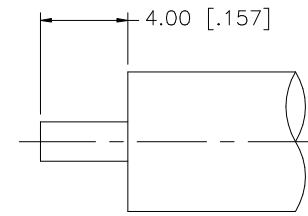
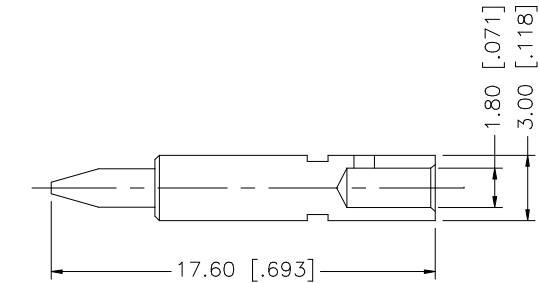
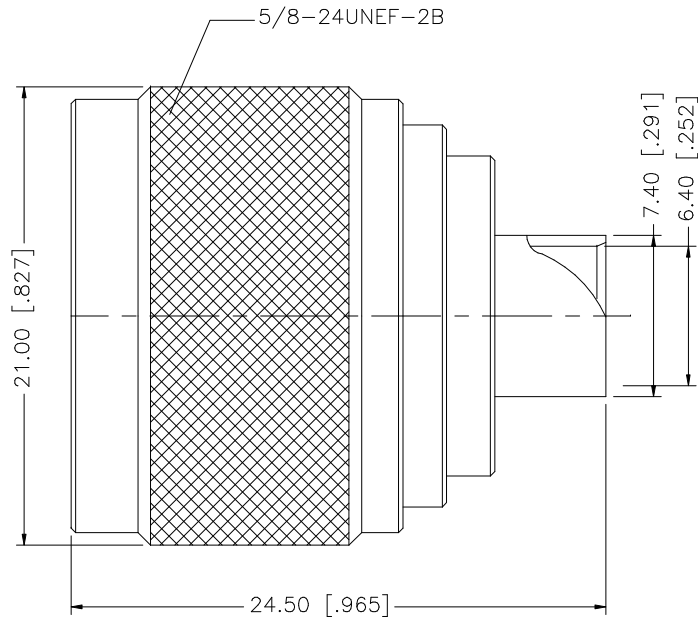
JAMECO[®]
ELECTRONICS

www.Jameco.com ♦ 1-800-831-4242

The content and copyrights of the attached
material are the property of its owner.

Jameco Part Number 659155

REV.	DATE	DESCRIPTION
A	04/31/03	UPDATE DRAWING FORMAT



RECOMMENDED
CABLE STRIPPING DIM'S

NOTE:

1. CRIMPED CONTACT PIN
HEX CRIMP SIZE .100"
OR SOLDER

				UNLESS OTHERWISE SPECIFIED DIMENSIONS ARE IN MILLIMETERS. DIMENSIONS IN [] ARE IN INCHES AND FOR CUSTOMER REFERENCE ONLY.	APPROVALS	DATE	Amphenol Connex						
8					DRAWN	G.R.S.					04/31/03	PART DESCRIPTION N DIRECT SOLDER PLUG (.250" SEMI-RIGID CABLE)	
7					CHECKED			PART NO. 172139					
6					ISSUED							DWG. NO. 172139.DWG	
5					SHEET	1 OF 1		REV.	A	SIZE	A		
4					UNLESS OTHERWISE SPECIFIED TOLERANCES FOR MILLIMETERS ARE: 0.5 - 8mm ± 0.20mm 8 - 30mm ± 0.40mm 30 - 120mm ± 0.50mm								
3	CONTACT PIN	BRASS	GOLD	1	UNLESS OTHERWISE SPECIFIED TOLERANCES FOR INCHES ARE: .020 - .315 = ± 0.007" .315 - 1.180 = ± 0.015" 1.180 - 4.724 = ± 0.020"								
2	INSULATOR	TEFLON	NATURAL	1	DO NOT SCALE DRAWING								
1	BODY	BRASS	NEXCOTE	1	CAD FILE C:/172/172139.DWG								