

Distributed by:

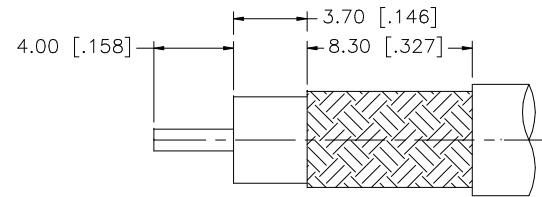
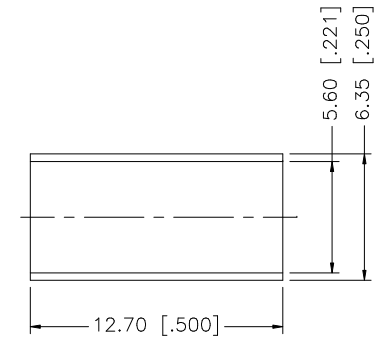
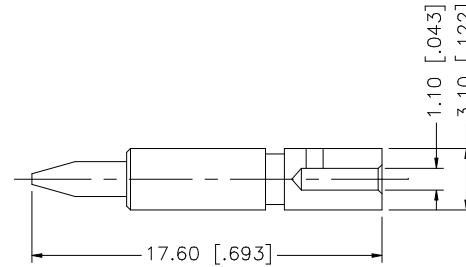
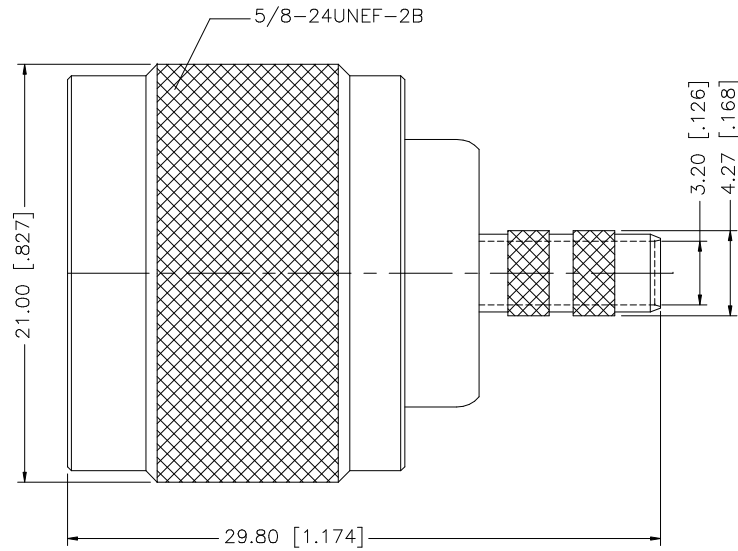
**JAMECO<sup>®</sup>**  
**ELECTRONICS**

[www.Jameco.com](http://www.Jameco.com) ♦ 1-800-831-4242

The content and copyrights of the attached  
material are the property of its owner.

Jameco Part Number 296577

REV.	DATE	DESCRIPTION
A	01/30/04	UPDATE DRAWING FORMAT



RECOMMENDED  
CABLE STRIPPING DIM'S

- NOTE:
1. CRIMPED FERRULE  
HEX CRIMP SIZE .213"
  2. CRIMPED CONTACT PIN  
HEX CRIMP SIZE .105"

REV.	DATE	DESCRIPTION					
A	01/30/04	UPDATE DRAWING FORMAT					
8							
7							
6							
5							
4	FERRULE	COPPER					
3	CONTACT PIN	BRASS					
2	INSULATOR	TEFLON					
1	BODY	BRASS					
	DESCRIPTION	MATERIAL					
		FINISH					
		QTY					
UNLESS OTHERWISE SPECIFIED DIMENSIONS ARE IN MILLIMETERS. DIMENSIONS IN [ ] ARE IN INCHES AND FOR CUSTOMER REFERENCE ONLY.  UNLESS OTHERWISE SPECIFIED TOLERANCES FOR MILLIMETERS ARE: 0.5 - 8mm ± 0.20mm 8 - 30mm ± 0.40mm 30 - 120mm ± 0.50mm  UNLESS OTHERWISE SPECIFIED TOLERANCES FOR INCHES ARE: .020 - .315 = ± 0.007" .315 - 1.180 = ± 0.015" 1.180 - 4.724 = ± 0.020"			APPROVALS DRAWN G.R.S. CHECKED ISSUED SHEET 1 OF 1 CAD FILE C:/172/172142.DWG	DATE 01/30/04	<b>Amphenol Connex</b>  PART DESCRIPTION <b>N CRIMP PLUG</b> <b>(FOR RG-55/U, 142A/U, 223/U, 400/U)</b>  PART NO. <b>172142</b>	DWG. NO. 172142.DWG REV. A SIZE A SCALE NA	
DO NOT SCALE DRAWING			C:/172/172142.DWG	172142.DWG	A	A	NA