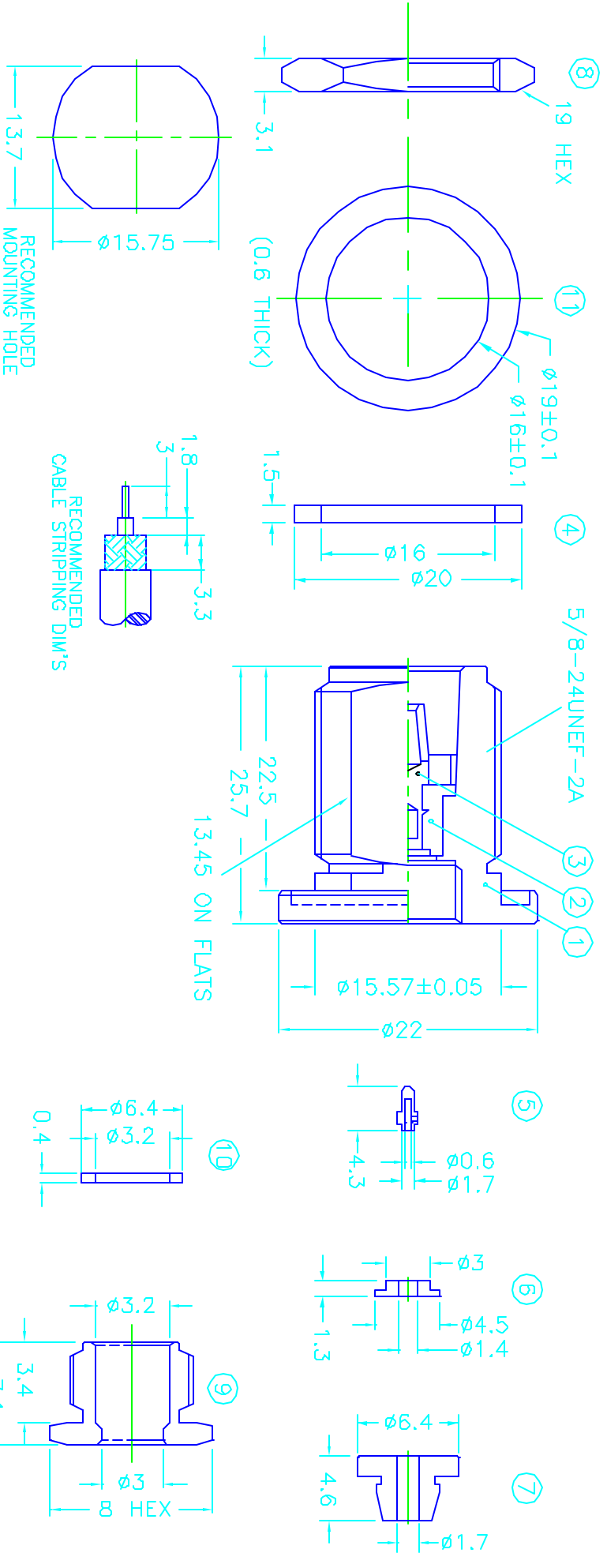


REV.	DATE	DESCRIPTION
C	04/11/97	ADD $\phi 15.75$ DIMENSION
D	05/06/97	ADD $\phi 15.57$ DIMENSION
E	01/19/98	ADD WASHER DIMENSIONS



PLATING NOTES:

- ① NICKEL PL. 100 μ A MIN. OVER COPPER PL. 50 μ A MIN.
- ② GOLD PL. 30 μ A MIN. OVER NICKEL PL. 50 μ A MIN.

DESCRIPTION	MATERIAL	FINISH	QTY
1 BODY	BRASS	NICKEL	1
2 INSULATOR	TEFLON	NATURAL	1
3 CONTACT PIN	BER. COPPER	GOLD	1
4 GASKET	SILICONE	RED	1
5 CONTACT PIN	BRASS	GOLD	1
6 INSULATOR	TEFLON	NATURAL	1
7 TOP HAT	BRASS	GOLD	1
8 HEX NUT	BRASS	NICKEL	1
9 HEX NUT	BRASS	NICKEL	1
10 FLAT WASHER	BRASS	NICKEL	1
11 WASHER	BRASS	NICKEL	1

DIMENSIONS ARE IN MILLIMETERS
UNLESS OTHERWISE SPECIFIED
TOLERANCES ARE

0.5-6 = ± 0.2
6-30 = ± 0.4
30-120 = ± 0.6
120-315 = ± 1
315-1000 = ± 1.6
1000-2000 = ± 2.4

DO NOT SCALE DRAWING

APPROVALS	DATE
DRAWN B. BURTON	4/24/96
CHECKED	
ISSUED	
REVISED G.R.S.	01/19/98

TITLE

N BULKHEAD CLAMP JACK
Connector Corporation

RG174/U 188A/U & 316/U CABLE

SIZE FROM NO. 99001 DWG. NO. 172143.DWG

SCALE 2:1 PART NO. 172143 SHEET 1 OF 1