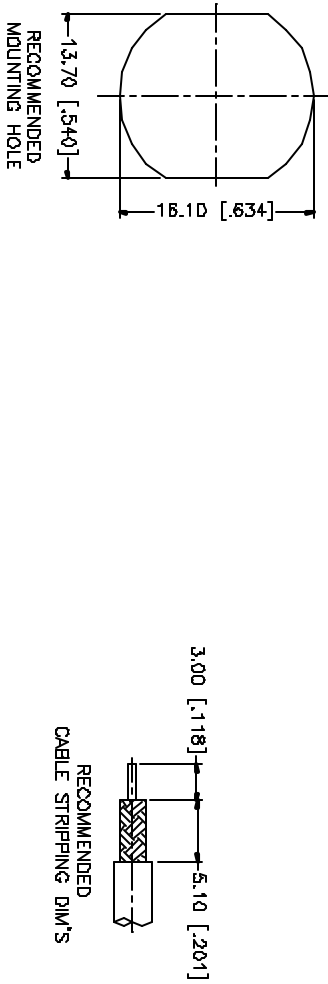
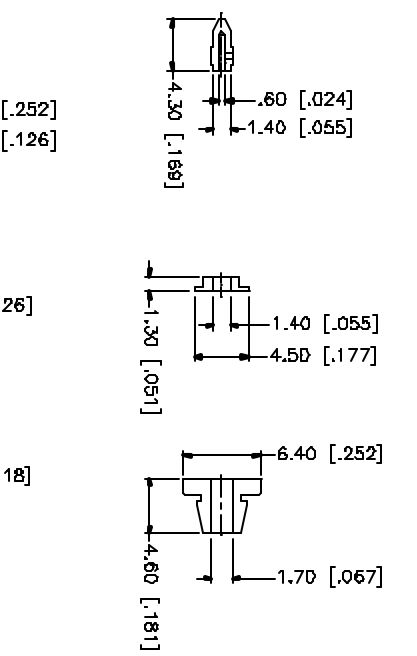
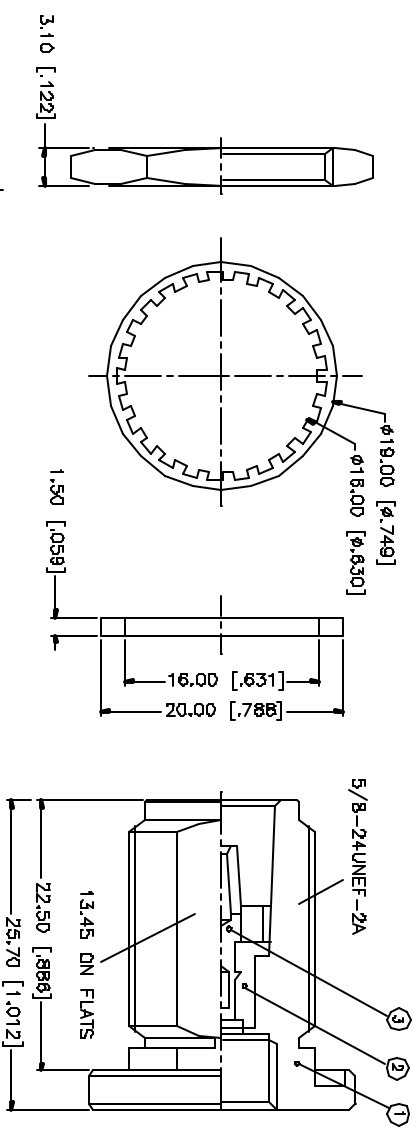


REV.	DATE	DESCRIPTION
NC	09/11/98	INITIAL RELEASE
A	05/01/04	UPDATE DRAWING FORMAT



NOTE:
 1. CONTACT PIN TO SOLDER
 2. MAX. PANEL THICKNESS = 6.5mm

NO.	DESCRIPTION	MATERIAL	FINISH	QTY
12	HEX NUT	BRASS	NEXCOTE	1
11	WASHER	BRASS	NEXCOTE	1
10	TOP HAT	BRASS	NEXCOTE	1
9	INSULATOR	TEFLON	NATURAL	1
8	CONTACT PIN	BRASS	GOLD	1
7	HEX NUT	BRASS	NEXCOTE	1
6	LOCK WASHER	BRASS	NEXCOTE	1
5	GASKET	SILICONE	RED	1
4	CONTACT PIN	BER. COPPER	GOLD	1
3	INSULATOR	TEFLON	NATURAL	1
2	BOBY	BRASS	NEXCOTE	1
1	DESCRIPTION	MATERIAL	FINISH	QTY

APPROVALS	DATE
APPROVED	05/01/04
DESIGNED	
CHECKED	
ISSUED	
SHEET	1 OF 1

Amphenol Connex

N BULKHEAD CLAMP JACK
 (FOR RG-174/U, 188A/U, 316/U)

172143-10

DWG. NO. 172143-10.DWG

REV. A

SIZE A

SCALE NA