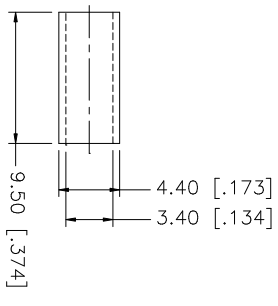
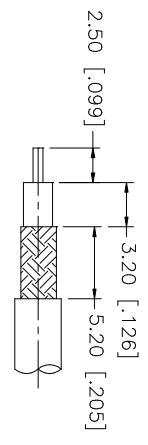
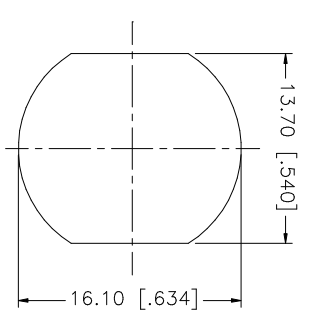
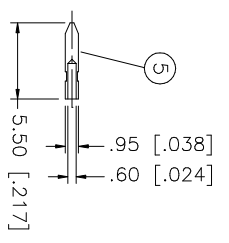
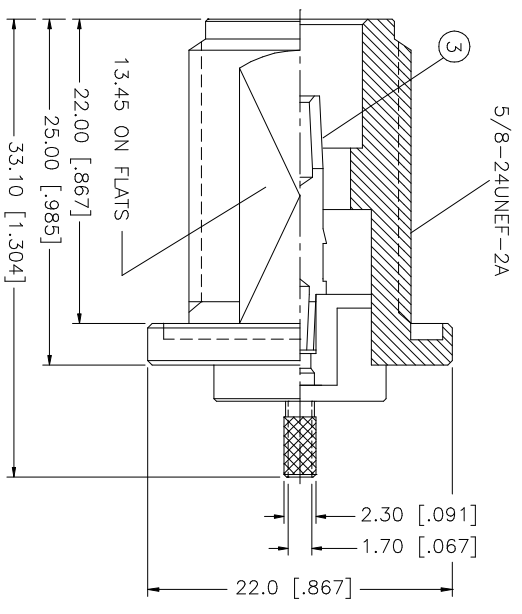
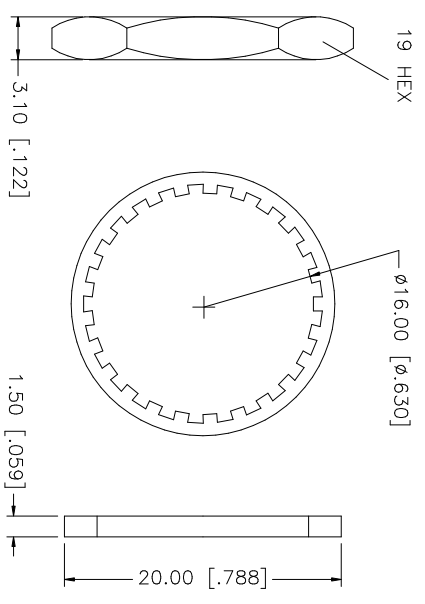


REV.	DATE	DESCRIPTION
B	01/29/00	MODIFY FERRULE DIMS./ CHANGE NOTES
C	06/05/03	UPDATE DRAWING FORMAT



RECOMMENDED MOUNTING HOLE DIMENSIONS

RECOMMENDED CABLE STRIPPING DIM'S

NOTE:
 1. CRIMPED FERRULE
 HEX CRIMP SIZE .151"
 2. CRIMPED CONTACT PIN
 SQ. CRIMP SIZE 0.7mm
 3. MAX. PANEL THICKNESS = 7mm

QTY	FINISH	MATERIAL	DESCRIPTION
1	NEXCOTE	COPPER	FERRULE
1	NEXCOTE	BRASS	HEX NUT
1	NEXCOTE	BRASS	LOCK WASHER
1	RED	SILICONE	GASKET
1	GOLD	BRASS	CONTACT PIN
1	NATURAL	TEFLON	INSULATOR
1	NEXCOTE	BRASS	BODY

APPROVALS	DATE
DRAWN G.R.S.	06/05/03
CHECKED	
ISSUED	
SHEET 1 OF 1	

UNLESS OTHERWISE SPECIFIED DIMENSIONS ARE IN MILLIMETERS, DIMENSIONS IN [] ARE IN INCHES AND FOR CUSTOMER REFERENCE ONLY. TOLERANCES FOR MILLIMETERS ARE:
0.5 - 8mm ± 0.20mm
8 - 30mm ± 0.40mm
30 - 120mm ± 0.50mm

UNLESS OTHERWISE SPECIFIED DIMENSIONS ARE IN MILLIMETERS, DIMENSIONS IN [] ARE IN INCHES AND FOR CUSTOMER REFERENCE ONLY. TOLERANCES FOR INCHES ARE:
.020 - .315 ± 0.007"
.315 - 1.180 ± 0.015"
1.180 - 4.724 ± 0.020"

DO NOT SCALE DRAWING
CAD FILE C:/172/172165.DWG
DWG. NO. 172165.DWG
REV. C
SIZE A
SCALE NA

PART DESCRIPTION	PART NO.
N BULKHEAD CRIMP JACK (FOR RG-316/U DOUBLE BRAID CABLE)	172165