

Distributed by:

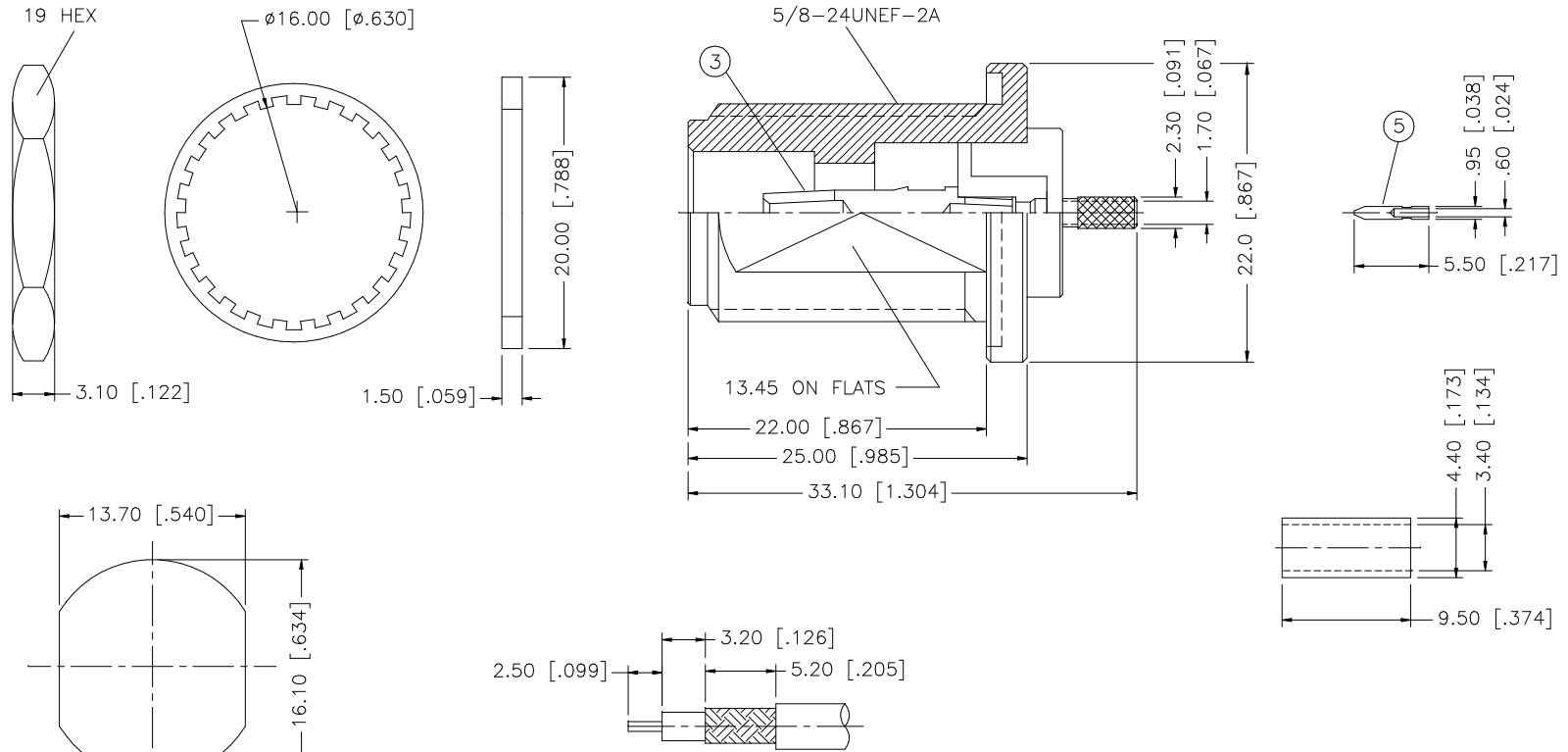
JAMECO[®]
ELECTRONICS

www.Jameco.com ♦ 1-800-831-4242

The content and copyrights of the attached
material are the property of its owner.

Jameco Part Number 296585

REV.	DATE	DESCRIPTION
B	01/29/00	MODIFY FERRULE DIMS./ CHANGE NOTES
C	06/05/03	UPDATE DRAWING FORMAT



NOTE:

1. CRIMPED FERRULE
HEX CRIMP SIZE .151"
2. CRIMPED CONTACT PIN
SQ. CRIMP SIZE 0.7mm
3. MAX. PANEL THICKNESS = 7mm

				UNLESS OTHERWISE SPECIFIED DIMENSIONS ARE IN MILLIMETERS. DIMENSIONS IN [] ARE IN INCHES AND FOR CUSTOMER REFERENCE ONLY.	APPROVALS	DATE	<h1 style="color: blue; margin: 0;">Amphenol Connex</h1>				
8					DRAWN	G.R.S.					06/05/03
7	FERRULE	COPPER	NEXCOTE	1	CHECKED			PART NO. 172165			
6	HEX NUT	BRASS	NEXCOTE	1	ISSUED						
5	LOCK WASHER	BRASS	NEXCOTE	1	SHEET	1 OF 1		REV. C SIZE A SCALE NA			
4	GASKET	SILICONE	RED	1	CAD FILE						
3	CONTACT PIN	BRASS	GOLD	1				DO NOT SCALE DRAWING			
2	INSULATOR	TEFLON	NATURAL	1							
1	BODY	BRASS	NEXCOTE	1							
DESCRIPTION				MATERIAL	FINISH	QTY					

UNLESS OTHERWISE SPECIFIED DIMENSIONS ARE IN MILLIMETERS. DIMENSIONS IN [] ARE IN INCHES AND FOR CUSTOMER REFERENCE ONLY.

UNLESS OTHERWISE SPECIFIED TOLERANCES FOR MILLIMETERS ARE:
 0.5 - 8mm ± 0.20mm
 8 - 30mm ± 0.40mm
 30 - 120mm ± 0.50mm

UNLESS OTHERWISE SPECIFIED TOLERANCES FOR INCHES ARE:
 .020 - .315 = ± 0.007"
 .315 - 1.180 = ± 0.015"
 1.180 - 4.724 = ± 0.020"