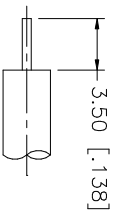
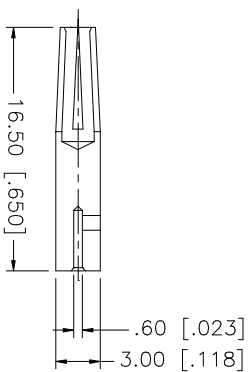
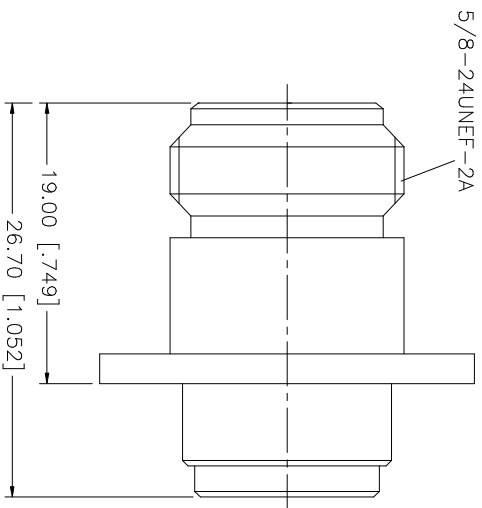
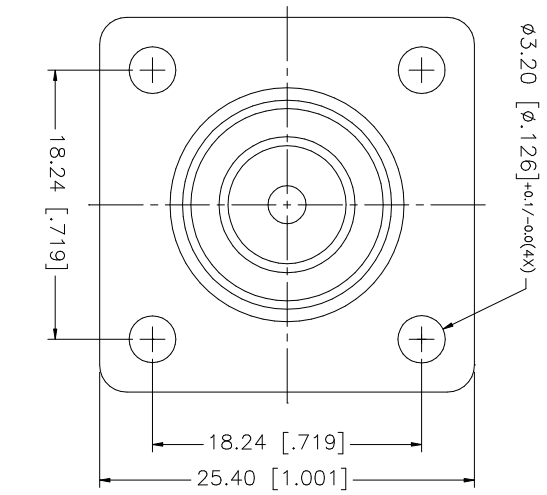
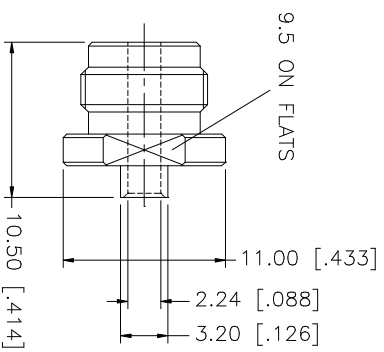
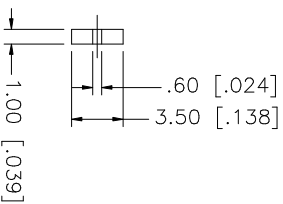


REV.	DATE	DESCRIPTION
A	01/30/04	UPDATE DRAWING FORMAT



RECOMMENDED CABLE STRIPPING DIM'S



NO.	DESCRIPTION	MATERIAL	FINISH	QTY
8				
7				
6				
5	SOLDER NUT	BRASS	NEXCOTE	1
4	INSULATOR	TEFLON	NATURAL	1
3	CONTACT PIN	PHOS. BRONZE	GOLD	1
2	INSULATOR	TEFLON	NATURAL	1
1	BODY	BRASS	NEXCOTE	1
	DESCRIPTION	MATERIAL	FINISH	QTY

UNLESS OTHERWISE SPECIFIED DIMENSIONS ARE IN MILLIMETERS. DIMENSIONS IN () ARE IN INCHES AND FOR CUSTOMER REFERENCE ONLY.
UNLESS OTHERWISE SPECIFIED, TOLERANCES FOR MILLIMETERS ARE: 0.5 - 8mm ± 0.20mm 8 - 30mm ± 0.40mm 30 - 120mm ± 0.50mm
UNLESS OTHERWISE SPECIFIED, TOLERANCES FOR INCHES ARE: .020 - .315 = ± 0.007" .315 - 1.180 = ± 0.015" 1.180 - 4.724 = ± 0.020"
DO NOT SCALE DRAWING

APPROVALS	DATE
DRAWN G.R.S.	01/30/04
CHECKED	
ISSUED	
SHEET 1 OF 1	

CAD FILE	DWG. NO.	REV.	SIZE	SCALE
C:/172/172169.DWG	172169.DWG	A	A	NA

Amphenol Connex

N PANEL DIRECT SOLDER JACK
(FOR .085", .086" CABLE)

PART NO. 172169