

Distributed by:

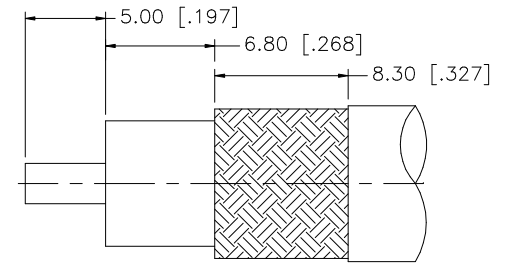
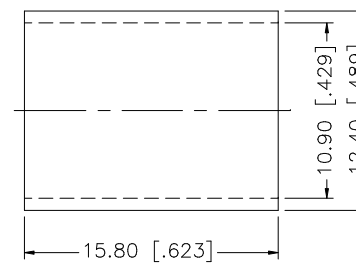
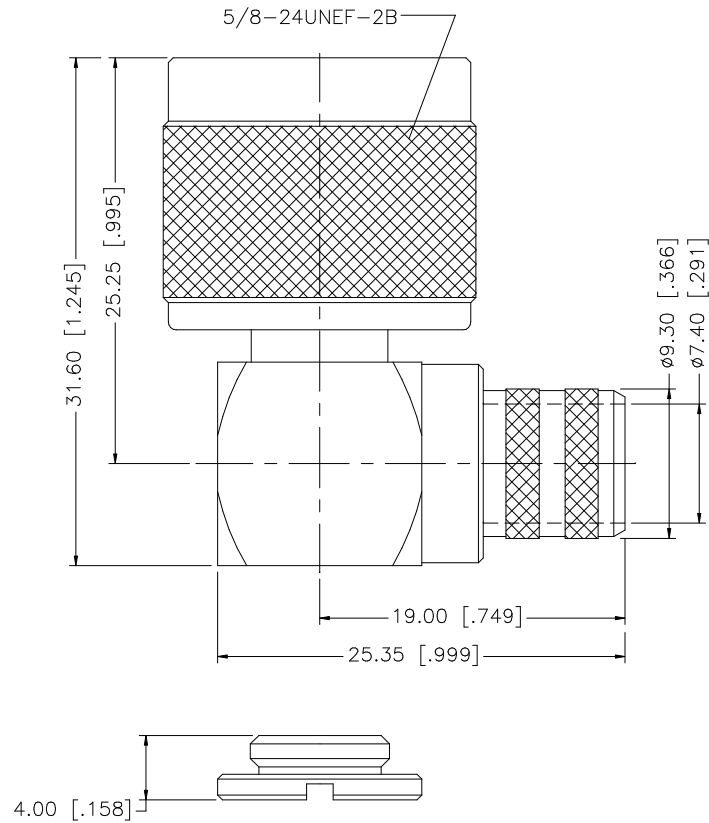
JAMECO[®]
ELECTRONICS

www.Jameco.com ♦ 1-800-831-4242

The content and copyrights of the attached
material are the property of its owner.

Jameco Part Number 659180

REV.	DATE	DESCRIPTION
A	11/21/02	UPDATE END CAP / REFORMAT DRAWING
B	03/06/03	UPDATE DRAWING FORMAT



RECOMMENDED
CABLE STRIPPING DIM'S

CRIMP NOTES:

1. CRIMPED FERRULE
HEX CRIMP SIZE .429"
2. CONTACT PIN TO SOLDER

QTY	DESCRIPTION	MATERIAL	FINISH	QTY	DO NOT SCALE DRAWING	APPROVALS	DATE	Amphenol Connex					
8	FERRULE	COPPER	NEXCOTE	1	<small>UNLESS OTHERWISE SPECIFIED DIMENSIONS ARE IN MILLIMETERS. DIMENSIONS IN [] ARE IN INCHES AND FOR CUSTOMER REFERENCE ONLY.</small> <small>UNLESS OTHERWISE SPECIFIED TOLERANCES FOR MILLIMETERS ARE: 0.5 - 8mm ± 0.20mm 8 - 30mm ± 0.40mm 30 - 120mm ± 0.50mm</small> <small>UNLESS OTHERWISE SPECIFIED TOLERANCES FOR INCHES ARE: .020 - .315 = ± 0.007" .315 - 1.180 = ± 0.015" 1.180 - 4.724 = ± 0.020"</small>			N R/A CRIMP PLUG (FOR RG-8/U, 213/U, 393/U CABLE)					
7	CLAMP NUT	BRASS	NEXCOTE	1		DRAWN	G.R.S.				03/06/03		
6	RETAINER RING	SUS 304	NATURAL	1		CHECKED							
5	GASKET	SILICONE	RED	1		ISSUED			PART DESCRIPTION				
4	CONTACT PIN	BER. COPPER	GOLD	1		SHEET	1 OF 1		PART NO.				
3	INSULATOR	TEFLON	NATURAL	1					172176				
2	SHELL	BRASS	NEXCOTE	1					DWG. NO. 172176.DWG				
1	BODY/BARREL	BRASS	NEXCOTE	1					REV.	NC	SIZE	A	SCALE