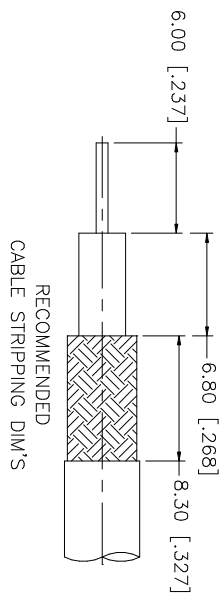
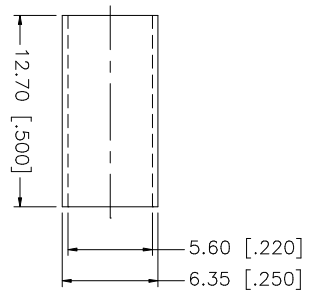
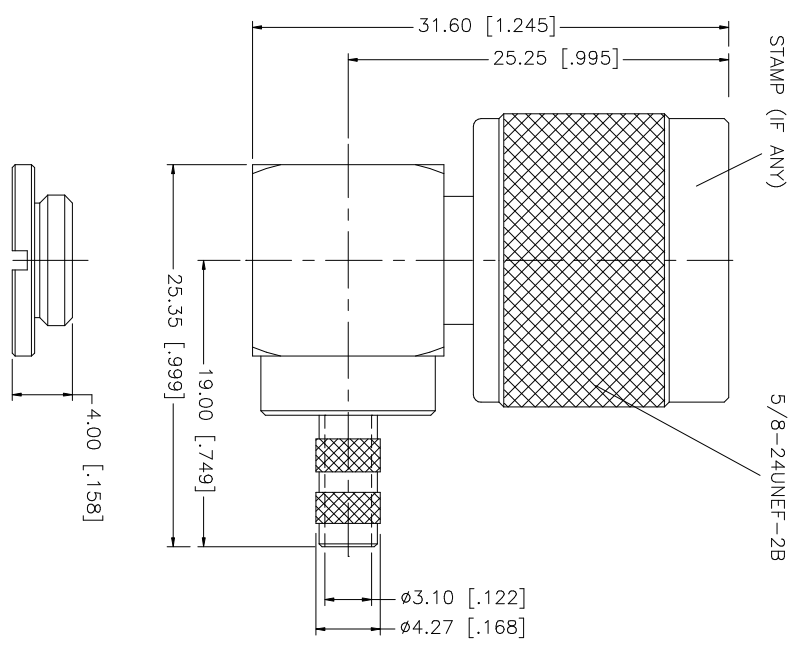


REV.	DATE	DESCRIPTION
A	11/21/02	MODIFY PLATING SPEC
B	01/24/03	UPDATE DRAWING FORMAT
C	01/07/04	MODIFY BODY LENGTH / COVER



NOTE:  
 1. CRIMPED FERRULE  
 HEX. CRIMP SIZE .213"  
 2. CONTACT PIN TO SOLDER.

NO.	DESCRIPTION	MATERIAL	FINISH	QTY	DO NOT SCALE DRAWING	APPROVALS	DATE	DWG. NO.	REV.	SIZE	SCALE
8											
7											
6	CLAMP NUT	BRASS	NEXCOTE	1							
4	FERRULE	COPPER	NEXCOTE	1							
3	CONTACT PIN	BRASS	GOLD	1							
2	INSULATOR	TEFLON	NATURAL	1							
1	BODY	BRASS	NEXCOTE	1							
<p>UNLESS OTHERWISE SPECIFIED DIMENSIONS ARE IN MILLIMETERS. DIMENSIONS IN [ ] ARE IN INCHES AND FOR CUSTOMER REFERENCE ONLY. TOLERANCES FOR MILLIMETERS ARE:          0.5 - 8mm ± 0.20mm          8 - 30mm ± 0.40mm          30 - 120mm ± 0.50mm          UNLESS OTHERWISE SPECIFIED TOLERANCES FOR INCHES ARE:          .020 - .315 = ± 0.007"          .315 - 1.180 = ± 0.015"          1.180 - 4.724 = ± 0.020"</p> <p>APPROVALS: G.R.S. 01/07/04</p> <p>CAD FILE: C:/172/172178.DWG</p> <p>PART DESCRIPTION: N R/A CRIMP PLUG (FOR RG-55/U, 142A/U, 223/U, 400/U CABLE)</p> <p>PART NO.: 172178</p> <p>DWG. NO.: 172178.DWG</p> <p>REV. C</p> <p>SIZE A</p> <p>SCALE NA</p>											

**Amphenol Connex**