

Distributed by:

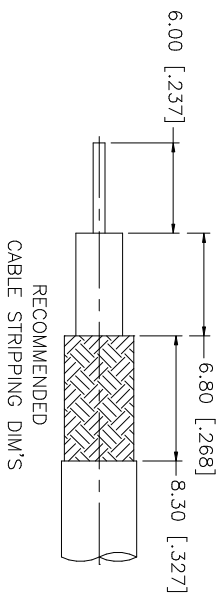
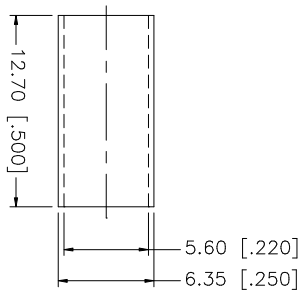
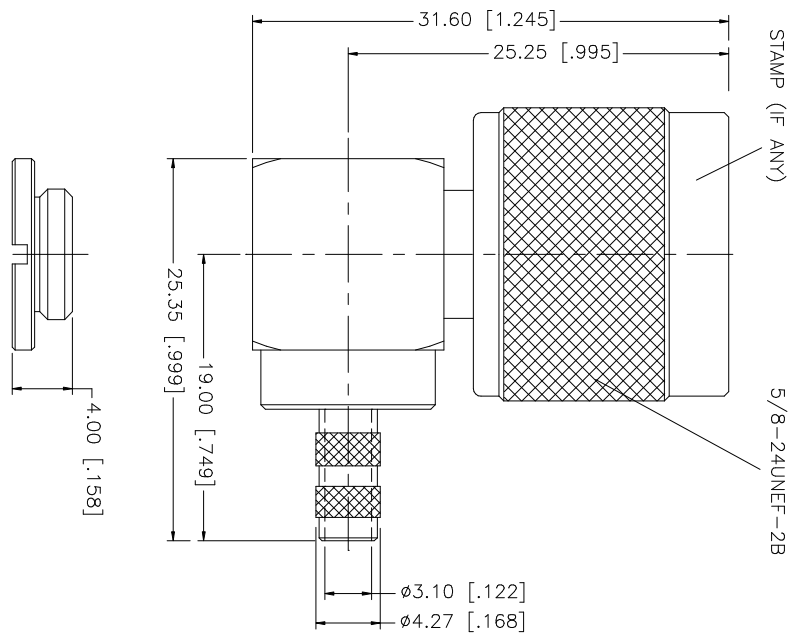


www.Jameco.com ♦ 1-800-831-4242

The content and copyrights of the attached material are the property of its owner.

Jameco Part Number 296593

REV.	DATE	DESCRIPTION
A	11/21/02	MODIFY PLATING SPEC
B	01/24/03	UPDATE DRAWING FORMAT
C	01/07/04	MODIFY BODY LENGTH / COVER



NOTE:
 1. CRIMPED FERRULE
 HEX: CRIMP SIZE .213"
 2. CONTACT PIN TO SOLDER.

NO.	DESCRIPTION	MATERIAL	FINISH	QTY	DO NOT SCALE DRAWING	APPROVALS	DATE	DWG. NO.	REV.	SIZE	SCALE
8											
7											
6	CLAMP NUT	BRASS	NEXCOTE	1							
4	FERRULE	COPPER	NEXCOTE	1							
3	CONTACT PIN	BRASS	GOLD	1							
2	INSULATOR	TEFLON	NATURAL	1							
1	BODY	BRASS	NEXCOTE	1							
					UNLESS OTHERWISE SPECIFIED DIMENSIONS ARE IN MILLIMETERS. DIMENSIONS IN () ARE IN INCHES AND FOR CUSTOMER REFERENCE ONLY. TOLERANCES FOR MILLIMETERS ARE: 0.5 - 8mm ± 0.20mm 8 - 30mm ± 0.40mm 30 - 120mm ± 0.50mm UNLESS OTHERWISE SPECIFIED TOLERANCES FOR INCHES ARE: .020 - .315 = ± 0.007" .315 - 1.180 = ± 0.015" 1.180 - 4.724 = ± 0.020"	APPROVALS	DATE	DWG. NO.	REV.	SIZE	SCALE
					DO NOT SCALE DRAWING	G.R.S.	01/07/04	172178.DWG	C	A	NA
N R/A CRIMP PLUG (FOR RG-55/U, 142A/U, 223/U, 400/U CABLE) PART NO. 172178											