

Distributed by:

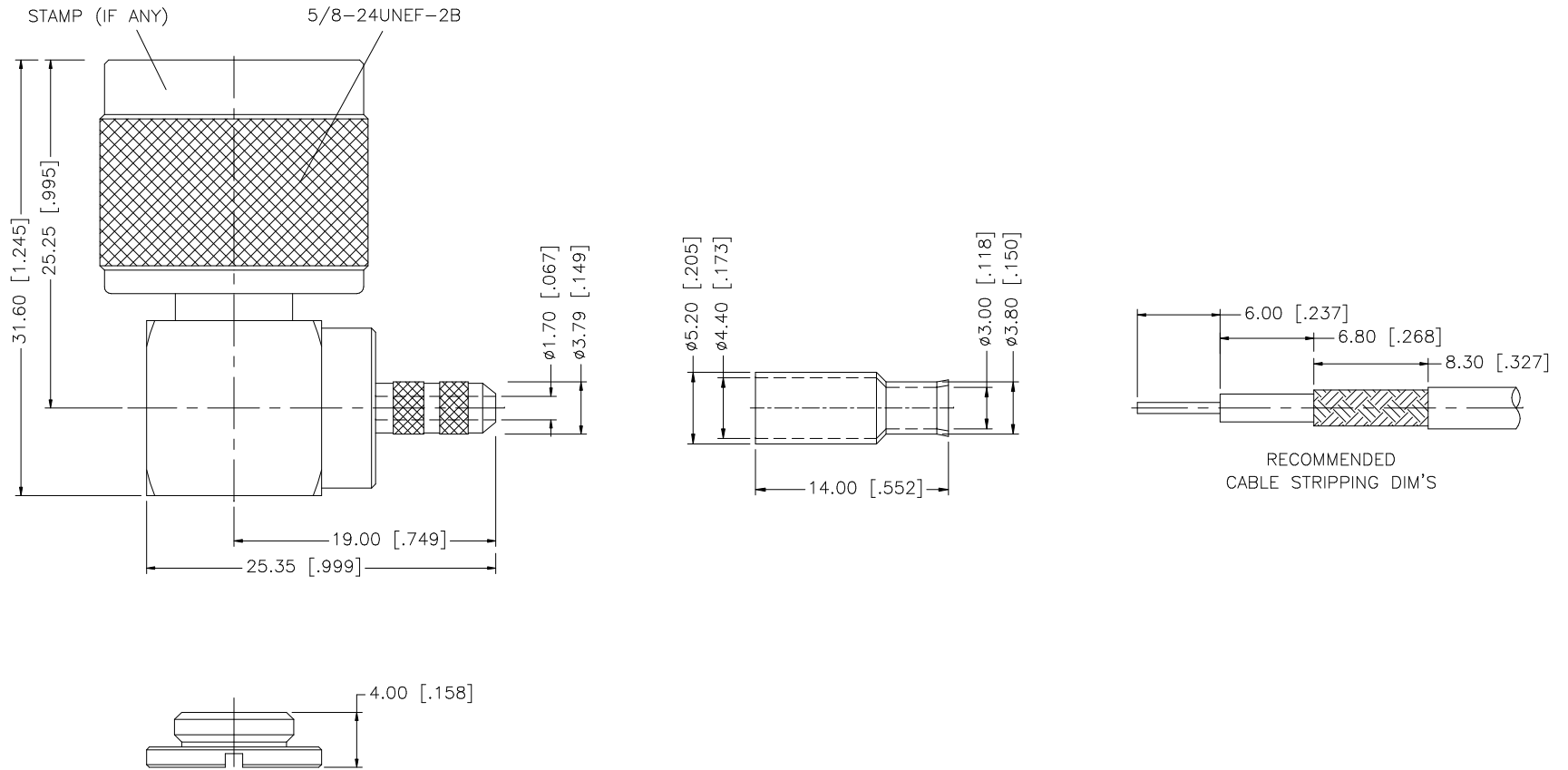
JAMECO[®]
ELECTRONICS

www.Jameco.com ♦ 1-800-831-4242

The content and copyrights of the attached
material are the property of its owner.

Jameco Part Number 659171

REV.	DATE	DESCRIPTION
A	06/16/01	MODIFY PLATING SPEC
B	01/30/04	UPDATE DRAWING FORMAT/MODIFY BODY LENGTH/COVER



NOTE:

1. CRIMPED FERRULE
HEX. CRIMP SIZE .178"
2. CONTACT PIN TO SOLDER.

REV.	DESCRIPTION	MATERIAL	FINISH	QTY	APPROVALS	DATE	Amphenol Connex							
8							N R/A CRIMP PLUG (FOR RG-174/U, 188/U, 316/U CABLE)							
7						PART DESCRIPTION								
6											PART NO. 172180			
5	CLAMP NUT	BRASS	NEXCOTE	1							DWG. NO. 172180.DWG			
4	FERRULE	BRASS	NEXCOTE	1			REV. B							
3	CONTACT PIN	BRASS	GOLD	1			SIZE A							
2	INSULATOR	TEFLON	NATURAL	1			SCALE NA							
1	BODY	BRASS	NEXCOTE	1										
	DESCRIPTION	MATERIAL	FINISH	QTY	DO NOT SCALE DRAWING		CAD FILE C:/172/172180.DWG							

UNLESS OTHERWISE SPECIFIED DIMENSIONS ARE IN MILLIMETERS. DIMENSIONS IN [] ARE IN INCHES AND FOR CUSTOMER REFERENCE ONLY.

UNLESS OTHERWISE SPECIFIED TOLERANCES FOR MILLIMETERS ARE:
0.5 - 8mm ± 0.20mm
8 - 30mm ± 0.40mm
30 - 120mm ± 0.50mm

UNLESS OTHERWISE SPECIFIED TOLERANCES FOR INCHES ARE:
.020 - .315 = ± 0.007"
.315 - 1.180 = ± 0.015"
1.180 - 4.724 = ± 0.020"