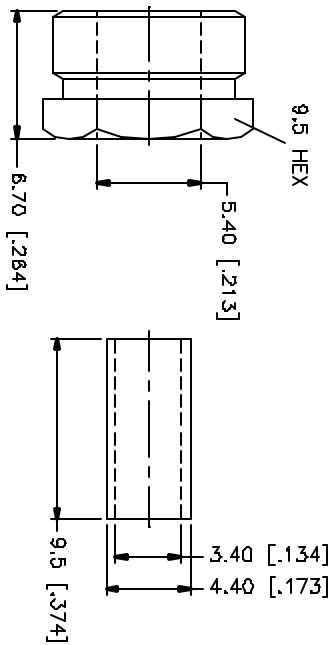
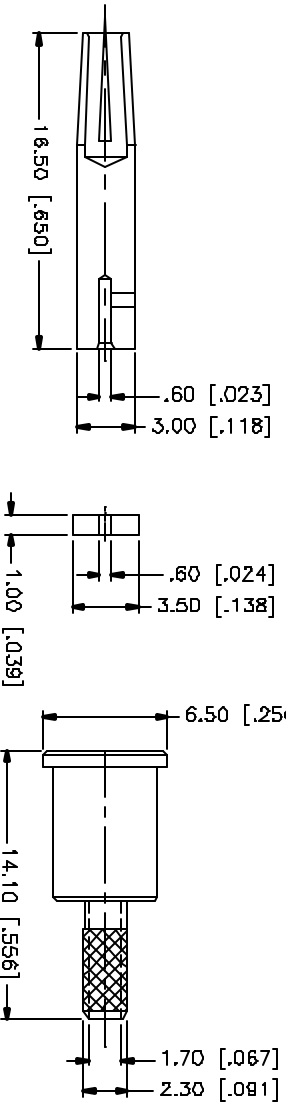
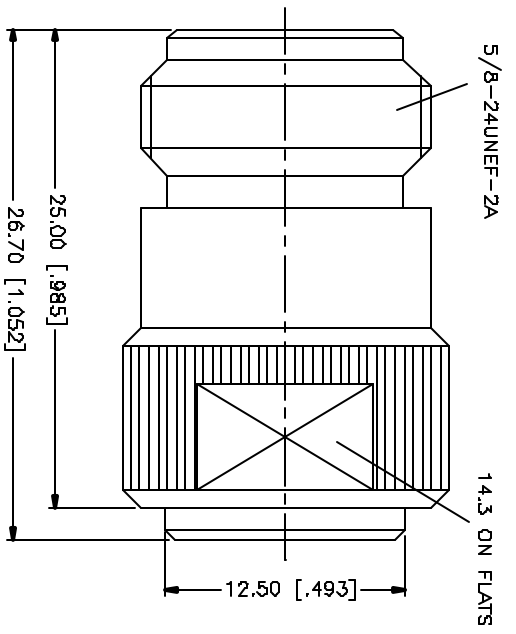
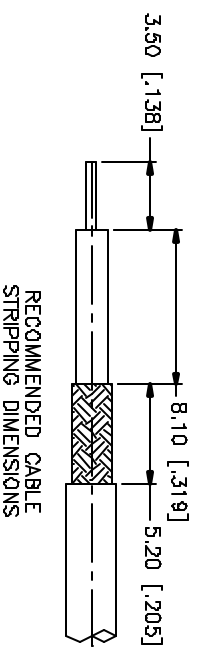


REV.	DATE	DESCRIPTION
A	12/16/04	MODIFY BARREL LENGTH TO 14.1mm
B	01/09/05	MODIFY FERRULE LENGTH TO 9.5mm - ADD TORQUE NOTE



- CRIMP NOTES:
1. CRIMPED FERRULE
 2. HEX CRIMP SIZE .151"
 3. CRIMPED CONTACT
 4. HEX CRIMP SIZE .100"
 5. TORQUE TO MIN. OF 35 IN/LBS

QTY	FINISH	MATERIAL	DESCRIPTION
1	NICKEL	COPPER	FERRULE
1	NICKEL	BRASS	HEX NUT
1	NICKEL	BRASS	BARREL
1	GOLD	PHOS. BRONZE	CONTACT PIN
1	NATURAL	TEFLON	INSULATOR
1	NICKEL	BRASS	BODY

APPROVALS	DATE
DRAWN G.R.S.	01/09/05
CHECKED	
ISSUED	
BHET 1 OF 1	

UNLESS OTHERWISE SPECIFIED DIMENSIONS ARE IN MILLIMETERS (DIMENSIONS IN [] ARE IN INCHES AND FOR CUSTOMER REFERENCE ONLY.)
UNLESS OTHERWISE SPECIFIED TOLERANCES FOR MILLIMETERS ARE: 4.5 - 30mm ± 0.20mm 30 - 120mm ± 0.30mm UNLESS OTHERWISE SPECIFIED TOLERANCES FOR INCHES ARE: .020 - .315 ± 0.003" .315 - 1.180 ± 0.015" 1.180 - 4.724 ± 0.020"
DO NOT SCALE DRAWINGS

CAD FILE	DWG. NO.	REV.	SIZE	SCALE
C:/172/172205.DWG	172205.DWG	B	A	NA

Amphenol Connex

N STRAIGHT CRIMP JACK
(FOR RG-316/U DOUBLE BRAID CABLE)

172205