

Distributed by:

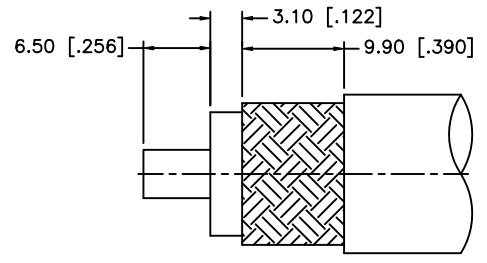
JAMECO[®]
ELECTRONICS

www.Jameco.com ♦ 1-800-831-4242

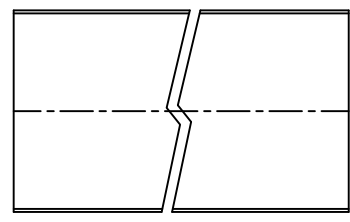
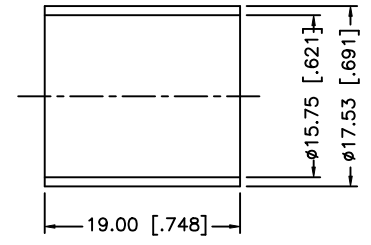
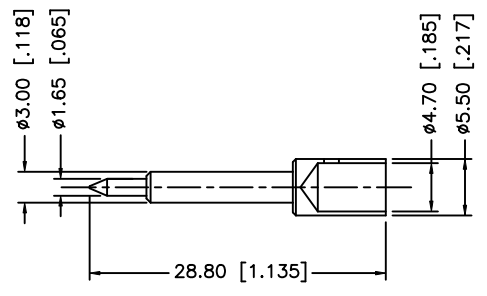
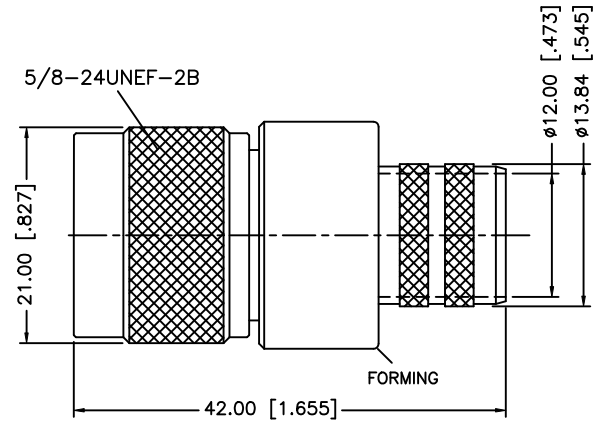
The content and copyrights of the attached
material are the property of its owner.

Jameco Part Number 659147

| REV. | DATE | ECR NO. | DESCRIPTION |
|------|----------|---------|---------------------------------------------|
| A | 01/30/04 | - | UPDATE DRAWING FORMAT |
| B | 09/23/08 | 100043 | REVISE HEX CRIMP DIMENSIONS (NOTES 1 AND 2) |



RECOMMENDED
CABLE STRIPPING DIM'S



HEAT SHRINK TUBE

- NOTE:
1. CRIMPED FERRULE HEX CRIMP SIZE .610" [15.50]
 2. CONTACT PIN TO SOLDER.

| | | | |
|---|------------------|----------|------------|
| 8 | | | |
| 7 | | | |
| 6 | | | |
| 5 | HEAT SHRINK TUBE | | 1 |
| 4 | FERRULE | COPPER | NEXCOTE 1 |
| 3 | CONTACT PIN | BRASS | GOLD 1 |
| 2 | INSULATOR | PTFE | NATURAL 1 |
| 1 | BODY | BRASS | NEXCOTE 1 |
| | DESCRIPTION | MATERIAL | FINISH QTY |

UNLESS OTHERWISE SPECIFIED DIMENSIONS ARE IN MILLIMETERS. DIMENSIONS IN [] ARE IN INCHES AND FOR CUSTOMER REFERENCE ONLY.

UNLESS OTHERWISE SPECIFIED TOLERANCES FOR MILLIMETERS ARE:
0.5 - 8mm ± 0.20mm
8 - 30mm ± 0.40mm
30 - 120mm ± 0.50mm

UNLESS OTHERWISE SPECIFIED TOLERANCES FOR INCHES ARE:
.020 - .315 ± 0.007"
.315 - 1.180 ± 0.015"
1.180 - 4.724 ± 0.020"

DO NOT SCALE DRAWING

| APPROVALS | DATE |
|--------------|-------------------|
| DRAWN GRS | 09/23/08 |
| CHECKED | |
| ISSUED | |
| SHEET 1 OF 1 | |
| CAD FILE | C:/172/172206.DWG |

Amphenol Connex

PART DESCRIPTION
N CRIMP PLUG - LMR 600 CABLE

PART NO. **172206**

| | | | |
|---------------------|--------|--------|----------|
| DWG. NO. 172206.DWG | REV. B | SIZE A | SCALE NA |
|---------------------|--------|--------|----------|