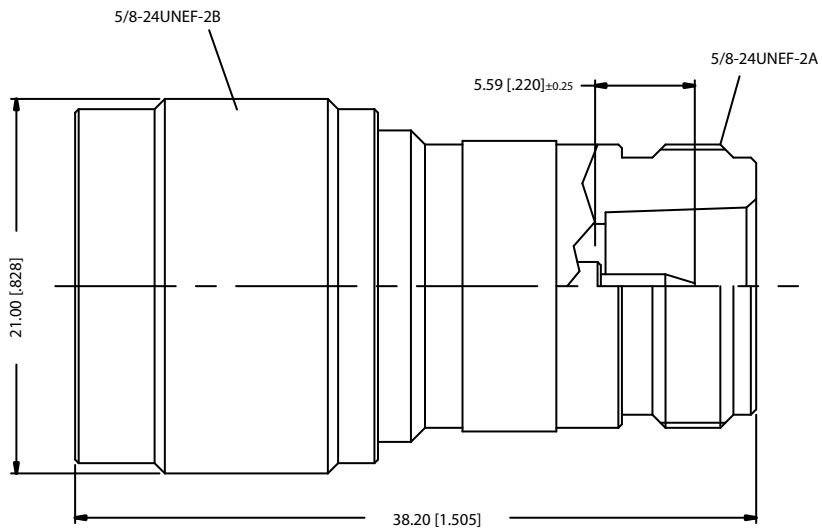


REV.	DATE	DESCRIPTION
NC	09/07/04	UPDATE DRAWING FORMAT / MODIFY X-SECTION



				UNLESS OTHERWISE SPECIFIED DIMENSIONS ARE IN MILLIMETERS. DIMENSIONS IN [] ARE IN INCHES AND FOR CUSTOMER REFERENCE ONLY.	APPROVALS	DATE	Amphenol - Connex							
8					DRAWN	G.R.S.	09/07/04	PART DESCRIPTION N PLUG TO N REVERSE POLARITY JACK ADAPTER						
7				CHECKED										
6				ISSUED										
5				SHEET	1 OF 1									
4							PART NO. 172213RP							
3	CONTACT PIN	BRASS	GOLD	1	CAD FILE		DWG. NO.	172213RP.DWG	REV.	A	SIZE	A	SCALE	NA
2	INSULATOR	TEFLON	NATURAL	1	C:/172/172213RP.DWG									
1	BODY	BRASS	NICKEL	1										
DESCRIPTION				MATERIAL	FINISH	QTY	DO NOT SCALE DRAWING							

UNLESS OTHERWISE SPECIFIED DIMENSIONS ARE IN MILLIMETERS. DIMENSIONS IN [] ARE IN INCHES AND FOR CUSTOMER REFERENCE ONLY.

UNLESS OTHERWISE SPECIFIED TOLERANCES FOR MILLIMETERS ARE:
 0.5 - 8mm ± 0.20mm
 8 - 30mm ± 0.40mm
 30 - 120mm ± 0.50mm

UNLESS OTHERWISE SPECIFIED TOLERANCES FOR INCHES ARE:
 .020 - .315 = ± 0.007"
 .315 - 1.180 = ± 0.015"
 1.180 - 4.724 = ± 0.020"