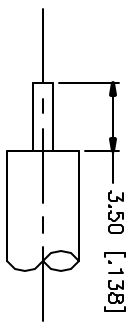
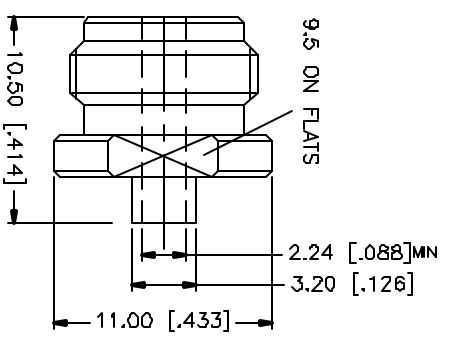
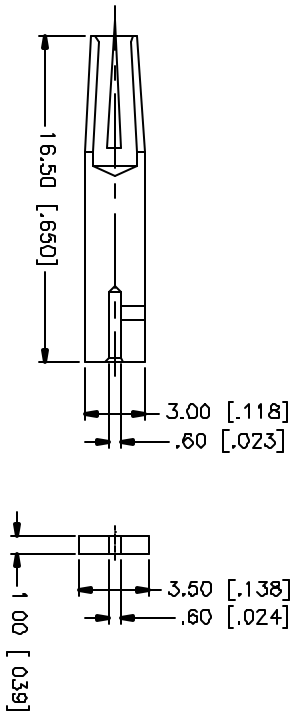
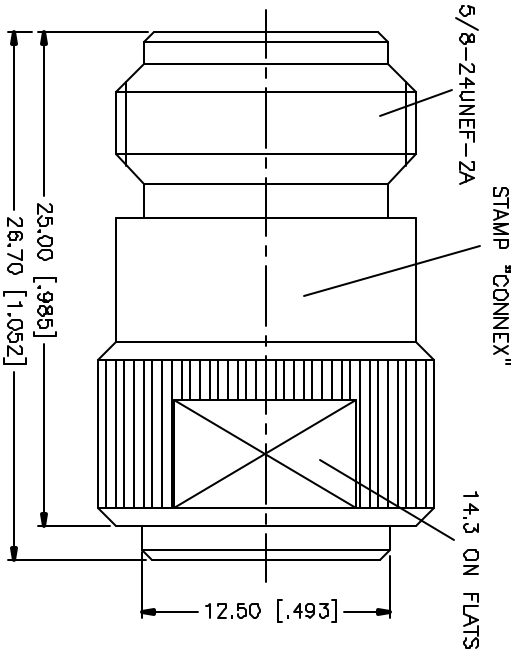


REV.	DATE	DESCRIPTION
NC	10/26/00	INITIAL RELEASE



RECOMMENDED CABLE STRIPPING DIM'S

DESCRIPTION	MATERIAL	FINISH	UNLESS OTHERWISE SPECIFIED DIMENSIONS ARE IN MILLIMETERS FOR CUSTOMER REFERENCE ONLY	APPROVALS	DATE	TITLE	SCALE	SHEET
1 OUTER BODY	BRASS	NICKEL	UNLESS OTHERWISE SPECIFIED DIMENSIONS ARE IN MILLIMETERS FOR CUSTOMER REFERENCE ONLY UNLESS OTHERWISE SPECIFIED TOLERANCES FOR MILLIMETERS ARE: 0.5-6 = ± 0.2 6-30 = ± 0.4 30-120 = ± 0.6 120-315 = ± 1 315-1000 = ± 1.6 1000-2000 = ± 2.4	DRAWN	G.R.S.	10/26/00	Connex Connector Corporation N SOLDER JACK (FOR .085" SEMI RIGID CABLE) DWG. NO. 172237.DWG	NA PART NO 172237 SHEET 1 OF 1
2 INSULATOR	TEFLON	NATURAL		CHECKED	ISSUED			
3 INNER BODY	BRASS	NICKEL						
4 CONTACT PIN	PHOS. BRONZE	GOLD						
5 INSULATOR	TEFLON	NATURAL						
6 SOLDER NUT	BRASS	GOLD						
7								
8				DO NOT SCALE DRAWING				