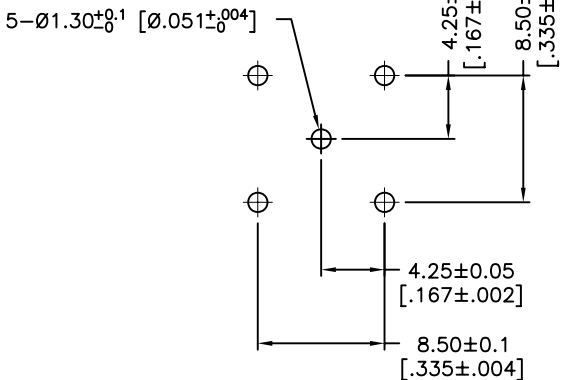
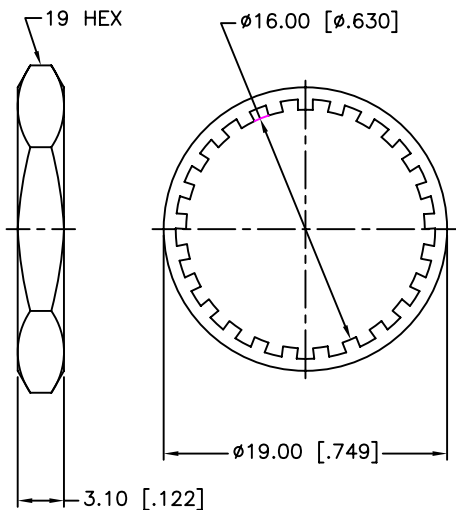
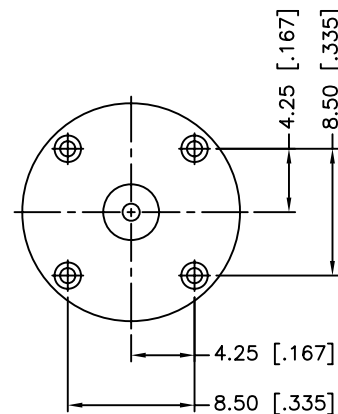
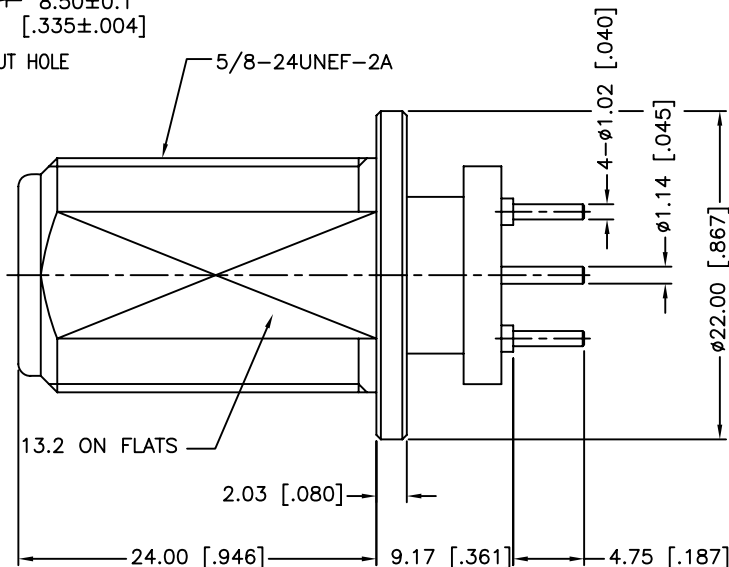
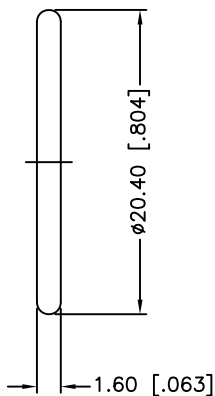


RECOMMENDED MOUNTING HOLE



PCB LAYOUT HOLE



REV.	DATE	ECR NO.	DESCRIPTION
NC	04/28/99	XXXXXX	INITIAL RELEASE
A	06/01/99	XXXXXX	MODIFY PART VIEWS/ADD NOTE 1
B	10/10/06	XXXXXX	UPDATE PART CALL OUT/DRAWING FORMAT
C	5/14/09	XXXXXX	UPDATE BILL OF MATERIAL
D	09/15/10	2097	ADD MOUNTING HOLE AND PCB LAYOUT HOLE

NOTE:

1. MEETS STANDARD N SERIES INTERFACE DIMENSIONS PER MIL-STD-348

QTY	DESCRIPTION	MATERIAL	FINISH	QTY
1	HEX NUT	BRASS	NEXCOTE	1
1	LOCK WASHER	BRASS	NEXCOTE	1
1	GASKET	SILICONE	RED	1
1	PIN	BRASS	BRIGHT TIN	1
1	INNER BODY	BRASS	NEXCOTE	1
1	CONTACT PIN	BER. COPPER	GOLD	1
1	INSULATOR	PTFE	NATURAL	1
1	BODY	BRASS	NEXCOTE	1

UNLESS OTHERWISE SPECIFIED DIMENSIONS ARE IN MILLIMETERS. DIMENSIONS IN [] ARE IN INCHES AND FOR CUSTOMER REFERENCE ONLY.

UNLESS OTHERWISE SPECIFIED TOLERANCES FOR MILLIMETERS ARE:
 0.5 - 8mm ± 0.20mm
 8 - 30mm ± 0.40mm
 30 - 120mm ± 0.50mm

UNLESS OTHERWISE SPECIFIED TOLERANCES FOR INCHES ARE:
 .020 - .315 = ± 0.007"
 .315 - 1.180 = ± 0.015"
 1.180 - 4.724 = ± 0.020"

DO NOT SCALE DRAWING

APPROVALS	DATE
DRAWN M.ZHANG	09/15/10
CHECKED	
ISSUED	
SHEET 1 OF 1	
CAD FILE C:/CONNEX/172243.DWG	

Amphenol Connex

PART DESCRIPTION
N BULKHEAD PCB MOUNT RECEPT. JACK

PART NO.
172243

DWG. NO. 172243.DWG REV. D SIZE A SCALE NA