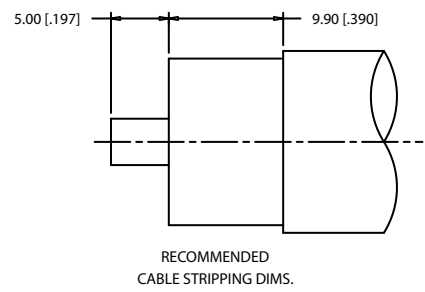
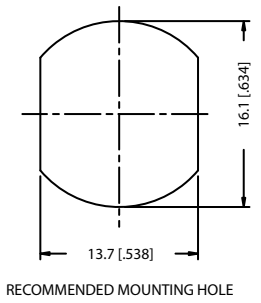
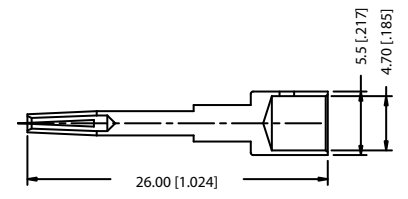
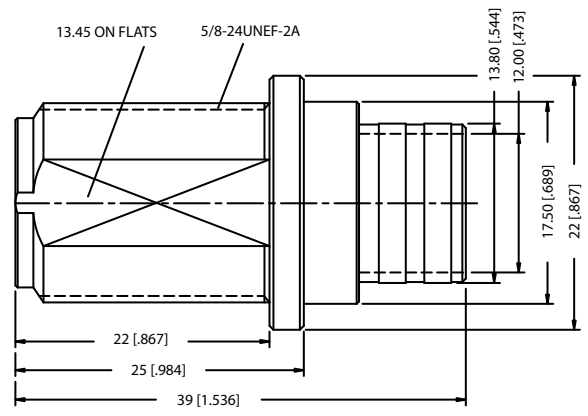
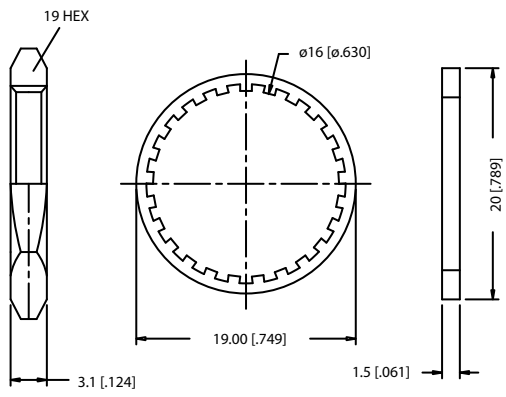
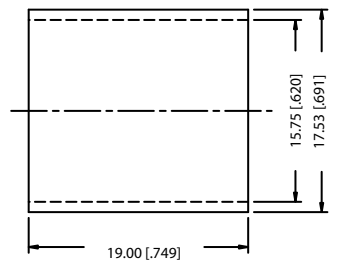



REV.	DATE	DESCRIPTION
NC	05/07/00	INITIAL RELEASE



CRIMP NOTES:  
1. CRIMPED FERRULE  
HEX CRIMP SIZE .600"



DESCRIPTION	MATERIAL	FINISH	UNLESS OTHERWISE SPECIFIED DIMENSIONS ARE IN MILLIMETERS DIMENSIONS IN [ ] ARE IN INCHES FOR CUSTOMER REFERENCE ONLY	APPROVALS	DATE				
1 BODY	BRASS	NICKEL		UNLESS OTHERWISE SPECIFIED TOLERANCES FOR MILLIMETERS ARE: 0.5-6 = ± 0.2 6-30 = ± 0.4 30-120 = ± 0.6 120-315 = ± 1 315-1000 = ± 1.6 1000-2000 = ± 2.4	DRAWN G.R.S.				05/07/00
2 INSULATOR	TEFLON	NATURAL	DO NOT SCALE DRAWING		CHECKED		SIZE	FSCM NO.	DWG. NO.
3 CONTACT PIN	BER. COPPER	GOLD		ISSUED		A	99001	172264.DWG	
4 FERRULE	COPPER	NICKEL				SCALE	NA	PART NO.	172264
5						SHEET		1 OF 1	
6						REV.		NC	
7									
8									