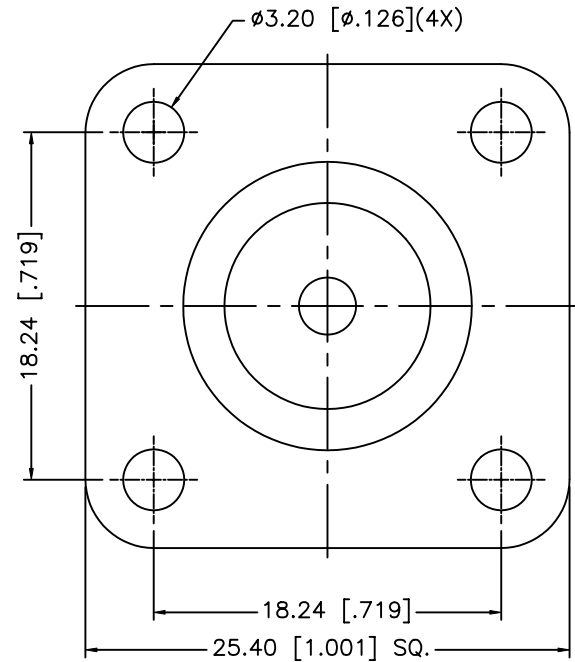
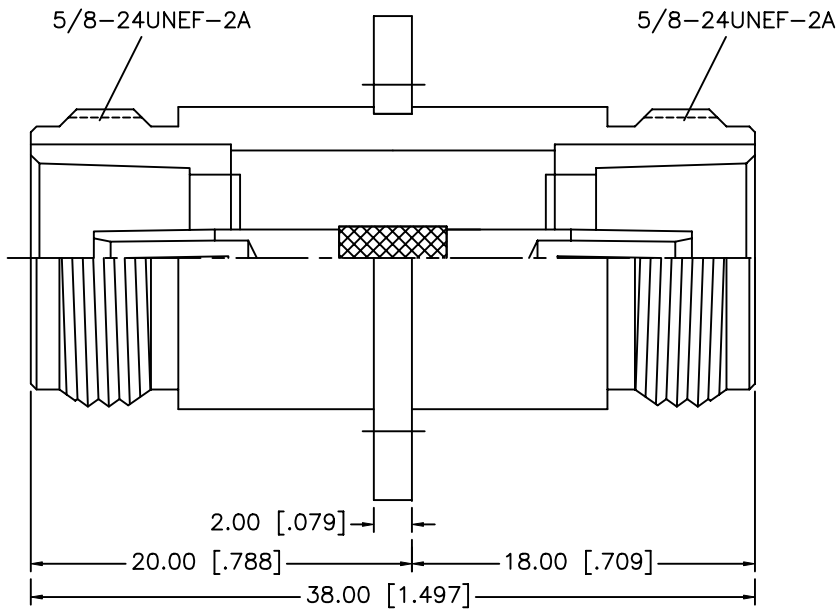



REV.	DATE	DESCRIPTION
NC	08/28/00	INITIAL RELEASE



DESCRIPTION	MATERIAL	FINISH	UNLESS OTHERWISE SPECIFIED DIMENSIONS ARE IN MILLIMETERS	APPROVALS	DATE					
1 BODY W/PANEL	BRASS	NICKEL	DIMENSIONS IN [] ARE IN INCHES FOR CUSTOMER REFERENCE ONLY UNLESS OTHERWISE SPECIFIED TOLERANCES FOR MILLIMETERS ARE: 0.5-6 = ± 0.2 6-30 = ± 0.4 30-120 = ± 0.6 120-315 = ± 1 315-1000 = ± 1.6 1000-2000 = ± 2.4	DRAWN G.R.S.	08/28/00				TITLE N PANEL JACK TO JACK ADAPTOR	
2 INSULATOR	TEFLON	NATURAL		CHECKED						
3 CONTACT PIN	PHOS. BRONZE	GOLD		ISSUED			SIZE A	FSCM NO. 99001	DWG. NO. 172278.DWG	REV. NC
4							SCALE NA	PART NO. 172278	SHEET 1 OF 1	
5										
6										
7										
8				DO NOT SCALE DRAWING						