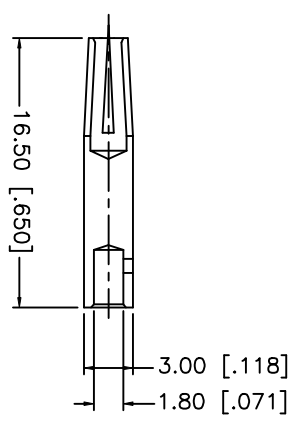
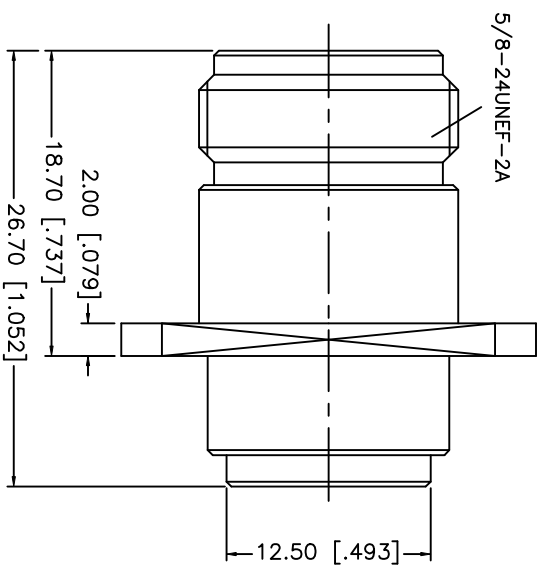
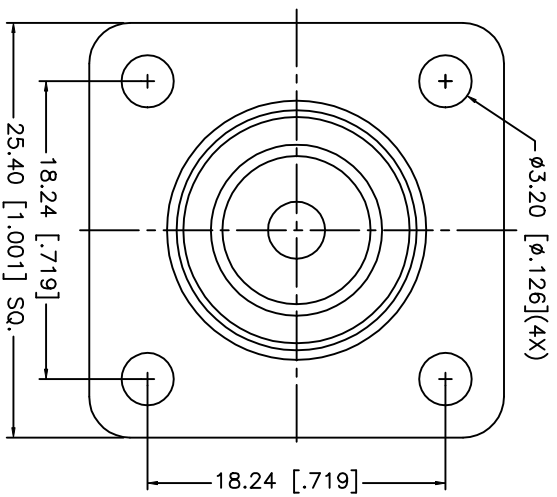
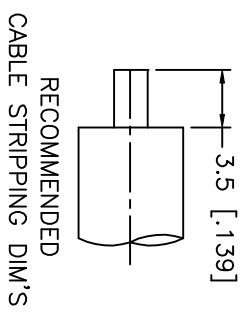
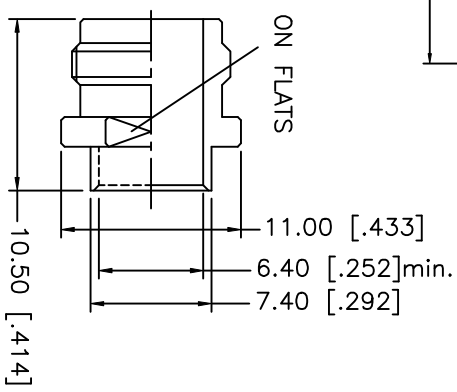
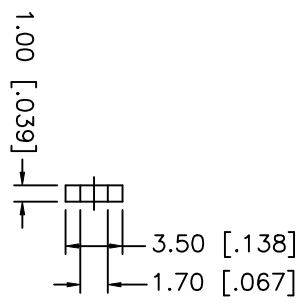


REV.	DATE	DESCRIPTION
NC	05/06/02	INITIAL RELEASE



CRIMP NOTES:
 1. CRIMPED CONTACT PIN
 HEX CRIMP SIZE .100"
 OR SOLDER.



DESCRIPTION	MATERIAL	FINISH	UNLESS OTHERWISE SPECIFIED DIMENSIONS ARE IN MILLIMETERS DIMENSIONS IN [] ARE IN INCHES FOR CUSTOMER REFERENCE ONLY	APPROVALS	DATE	TITLE
1 OUTER BODY	BRASS	NICKEL		DRAWN G.R.S.	05/06/02	Amphenol - Connex CONNECTOR CORPORATION N PANEL DIRECT SOLDER JACK (FOR .250" SEMI RIGID CABLE) SCALE NA PART NO. 172300 DWG. NO. 172300.DWG SIZE FSCM NO. 99001 120-315 = ± 0.6 30-120 = ± 0.4 6-30 = ± 0.2 0.5-6 = ± 0.2 UNLESS OTHERWISE SPECIFIED TOLERANCES FOR MILLIMETERS ARE: 120-315 = ± 1 315-1000 = ± 1.6 1000-2000 = ± 2.4 DO NOT SCALE DRAWING
2 INSULATOR	TEFLON	NATURAL		CHECKED		
3 CONTACT PIN	PHOS. BRONZE	GOLD		ISSUED		
4 SOLDER NUT	BRASS	GOLD				
5						
6						
7						
8						