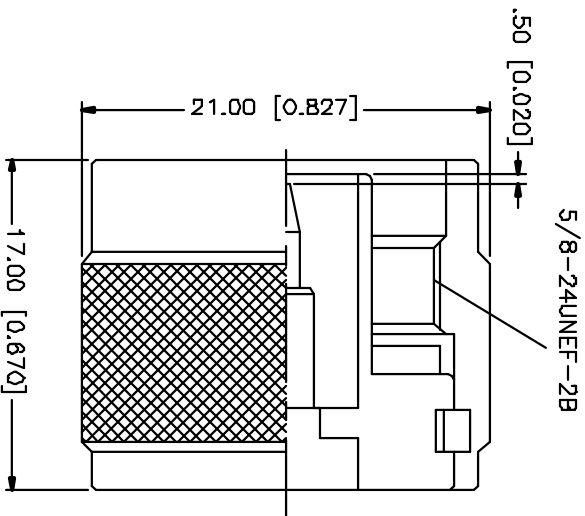


REV.	DATE	DESCRIPTION
NC	07/07/04	INITIAL RELEASE



REV	DESCRIPTION	MATERIAL	FINISH	QTY	UNLESS OTHERWISE SPECIFIED DIMENSIONS ARE IN MILLIMETERS, DIMENSIONS IN [] ARE IN INCHES AND RISK FACTOR REFERENCE ONLY.	APPROVALS	DATE	PART DESCRIPTION	DWG. NO.	REV.	SIZE	SCALE
B								Amphenol Connex N SHORTING PLUG 172317	172317.DWG	NC	A	NA
7					UNLESS OTHERWISE SPECIFIED DIMENSIONS ARE IN MILLIMETERS, DIMENSIONS IN [] ARE IN INCHES AND RISK FACTOR REFERENCE ONLY.							
6					UNLESS OTHERWISE SPECIFIED DIMENSIONS ARE IN MILLIMETERS, DIMENSIONS IN [] ARE IN INCHES AND RISK FACTOR REFERENCE ONLY.							
5					UNLESS OTHERWISE SPECIFIED DIMENSIONS ARE IN MILLIMETERS, DIMENSIONS IN [] ARE IN INCHES AND RISK FACTOR REFERENCE ONLY.							
4					UNLESS OTHERWISE SPECIFIED DIMENSIONS ARE IN MILLIMETERS, DIMENSIONS IN [] ARE IN INCHES AND RISK FACTOR REFERENCE ONLY.							
3					UNLESS OTHERWISE SPECIFIED DIMENSIONS ARE IN MILLIMETERS, DIMENSIONS IN [] ARE IN INCHES AND RISK FACTOR REFERENCE ONLY.							
2	CONTACT BODY	BRASS	GOLD	1	.020 - .315 ± 0.007 .315 - 1.180 ± 0.015 1.180 - 4.724 ± 0.025							
1	BODY	BRASS	NEGGOTIE	1	DO NOT SCALE DRAWING							
	DESCRIPTION	MATERIAL	FINISH	QTY	DO NOT SCALE DRAWING							