

| | | | |
|-------------------|-----|-----------------|-----------|
| 172369 | | REVISIONS | |
| DRAWING NO. | REV | DESCRIPTION | DATE |
| THIRD ANGLE PROJ. | A | RELEASE TO MFG. | 01-OCT-12 |
| | | ECO | APPR |
| | | -- | MG |

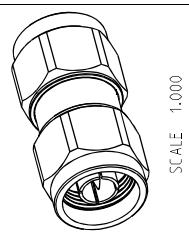
NOTE:

1. ELECTRIC PERFORMANCE
 IMPEDANCE (Ω) : 50
 FREQUENCY RANGE : 4.1,065 (DC-3GHz)
 VSWR : 41.1 (3-6GHz)
 INSERT LOSS (dB) : 0.1
 PIM(dBc) : 56.0 (2X4.3dBm)
 INSULATION RESISTANCE (MΩ) : 5000
 PROOF VOLTAGE (V) : 2500
 CONDUCTOR RESISTANCE (mΩ) : OUTER CONDUCTOR <0.2
 INNER CONDUCTOR <0.8

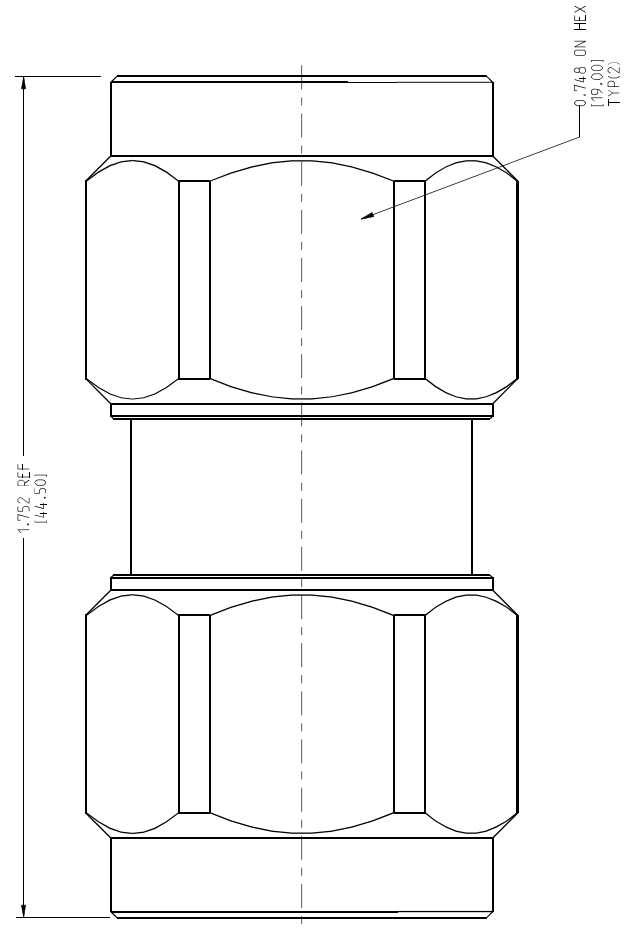
II. MECHANICAL PERFORMANCE
 NUT TORQUE : N : 5Nm
 MECHANICAL WEAR : 500

III. MATERIAL AND PLATING
 OUTER CONDUCTOR : BRASS PLATING COPPER-TIN-ZINC 2 μm
 INNER CONDUCTOR : BRASS PLATING Ag5 μm
 NUT : BRASS PLATING NICKEL 5 μm
 INSULATOR : PTFE

IV. ENVIRONMENT
 TEMP RANGE : -55°C TO +155°C
 WATERPROOF STANDARD : IP67
 ROHS COMPLIANT



SCALE 1:000



| | | | | |
|----|-----------------|----------|--------------|-----|
| 4 | NUT | BRASS | NICKEL | 1 |
| 3 | INSULATOR | PTFE | NATURAL | 1 |
| 2 | INNER CONDUCTOR | BRASS | SILVER | 1 |
| 1 | OUTER CONDUCTOR | BRASS | WHITE BRONZE | 1 |
| NO | DESCRIPTION | MATERIAL | FINISH | QTY |

UNLESS OTHERWISE SPECIFIED, DIMENSIONS ARE IN INCHES AND TOLERANCES ARE:
 2 PLACE DECIMAL ±.015 (0.381 mm)
 3 PLACE DECIMAL ±.005 (0.127 mm)
 ANGLES 1°

NOTICE - These drawings, specifications, or other data (1) are, and remain the property of Amphenol Corp. (2) must be returned upon request; and (3) are confidential and not to be disclosed to any person other than those to whom they are given by Amphenol Corp. The furnishing of these drawings, specifications, or other data by Amphenol Corp., or to any other person for any purpose is not to be regarded by implication or otherwise in any manner licensing, granting rights, or permitting such individual or other person to manufacture, use or sell any product or process which infringes upon the intellectual property rights of Amphenol Corp. or any other person. All other rights are reserved and may be related to or disclosed by, said drawings, specifications, or other data.

| | | | | |
|--------------------|--|-------------------|---|-----|
| DRAWN GDP/ M | | DATE 01-Oct-12 | TITLE N MALE TO N MALE ADAPTER, LOW PIM | |
| ENGINEER GDP/ M | | DATE 01-Oct-12 | Amphenol Connex | |
| APPROVED | | DATE | SCALE: 4.0:1 SHEET 1 OF 1 | |
| CAD FILE | | DWG SIZE | DRAWING NO. | REV |
| | | B | 172369 | A |