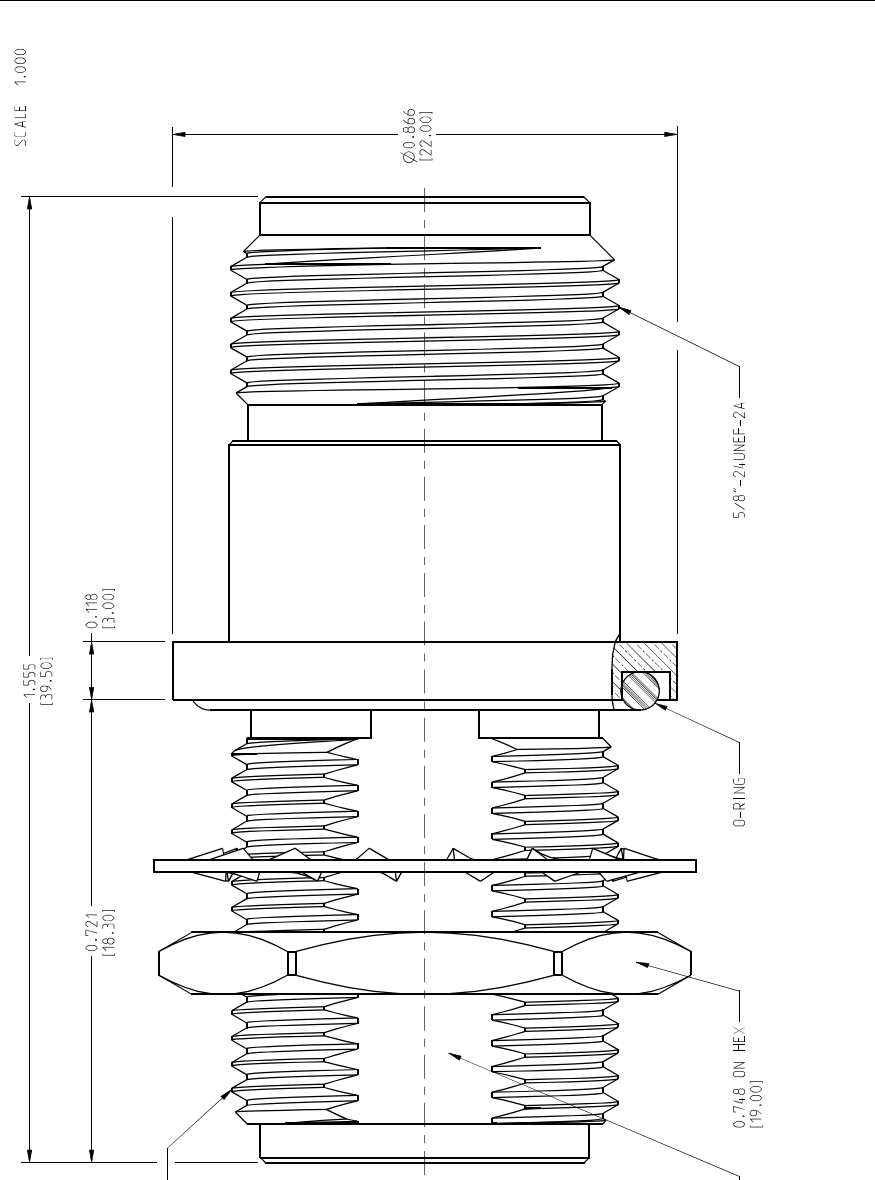
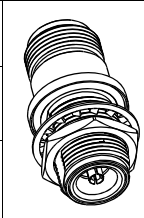


172371		REVISIONS	
DRAWING NO.	REV	DESCRIPTION	DATE
THIRD ANGLE PROJ.	A	RELEASE TO MFG.	01-OCT-12
			ECO
			APPR
			MG



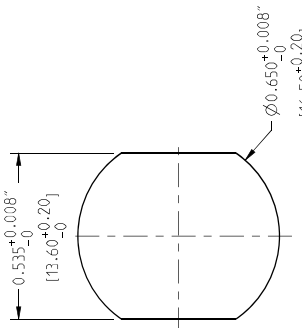
NOTE:

I. ELECTRIC PERFORMANCE  
 IMPEDANCE (Ω)  
 FREQUENCY RANGE  
 VSWR  
 INSERT LOSS (dB)  
 P14 (dBc)  
 INSULATION RESISTANCE (MΩ)  
 PROOF VOLTAGE (V)  
 CONDUCTOR RESISTANCE (mΩ)  
 OUTER CONDUCTOR -0.2  
 INNER CONDUCTOR -0.8

II. MECHANICAL PERFORMANCE  
 MECHANICAL WEAR : 500  
 NUT TORQUE : 5N.m

III. MATERIAL AND PLATING  
 INNER CONDUCTOR : SPRING COPPER PLATING Ag5 μm  
 OUTER CONDUCTOR : BRASS PLATING COPPER-TIN-ZINC2 μm  
 NUT : BRASS PLATING COPPER-TIN-ZINC2 μm  
 SPRING WASHER : SPRING COPPER PLATING COPPER-TIN-ZINC2 μm  
 INSULATION : PTFE  
 O-RING : SILICON RUBBER

IV. ENVIRONMENT  
 TEMP RANGE : -55°C TO +155°C  
 WATERPROOF STANDARD : IP67  
 ROHS COMPLIANT



RECOMMENDED MOUNTING HOLE DIMENSIONS

NO	DESCRIPTION	MATERIAL	FINISH	QTY
6	LOCK WASHER	SPRING COPPER	WHITE BRONZE	1
5	INSULATOR	PTFE	NATURAL	1
4	O-RING	SILICONE RUBBER		1
3	NUT	BRASS	WHITE BRONZE	1
2	OUTER CONDUCTOR	BRASS	WHITE BRONZE	1
1	INNER CONDUCTOR	SPRING COPPER	SILVER	1
NO	DESCRIPTION	MATERIAL	FINISH	QTY

UNLESS OTHERWISE SPECIFIED, DIMENSIONS ARE IN INCHES AND TOLERANCES ARE: 2 PLACE DECIMAL 3 PLACE DECIMAL ±.015 (0.381 mm) ±.005 (0.127 mm) ±.1°		DRAWN GOPI M		DATE 01-OCT-12	TITLE N FEMALE TO N FEMALE BULKHEAD ADAPTER, LOW PIM		Amphenol Connex	
SEE NOTES		ENGINEER GOPI M		DATE 01-OCT-12	DWG SIZE B		DRAWING NO. 172371	
REFERENCE		APPROVED		DATE	SCALE: 5.0:1		SHEET 1 OF 1	
		CAD FILE			REV		A	