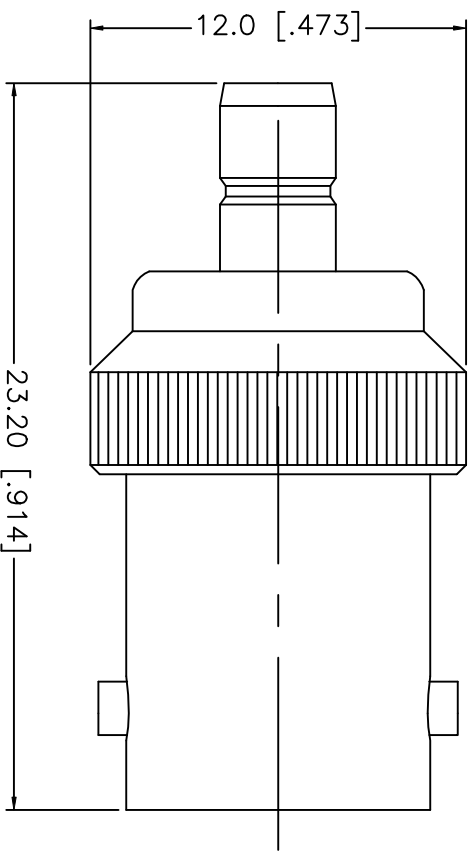


REV.	DATE	DESCRIPTION
NC	04/09/02	INITIAL RELEASE



8																				
7																				
6																				
5																				
4	CONTACT PIN	PHOS. BRONZE	GOLD																	
3	INSULATOR	TEFLON	NATURAL																	
2	SMB BODY	BRASS	GOLD																	
1	BNC BODY	BRASS	NICKEL																	
	DESCRIPTION	MATERIAL	FINISH																	
				UNLESS OTHERWISE SPECIFIED DIMENSIONS ARE IN MILLIMETERS				APPROVALS				DATE		Amphenol - Connex CONNECTOR CORPORATION TITLE BNC JACK TO SMB JACK ADAPTOR						
				DIMENSIONS IN [] ARE IN INCHES FOR CUSTOMER REFERENCE ONLY				DRAWN		04/09/02										
				UNLESS OTHERWISE SPECIFIED TOLERANCES FOR INCHES ARE: .XXX = ± 0.005" .XX = ± 0.010" .X = ± 0.020"				CHECKED												
				DO NOT SCALE DRAWING				ISSUED												
		SIZE		FSCM NO.		DWG. NO.		REV.		SCALE		PART NO.		SHEET		OF				
		A		99001		242186.DWG		NC		NA		242186		1		1				