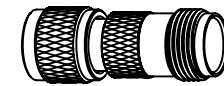
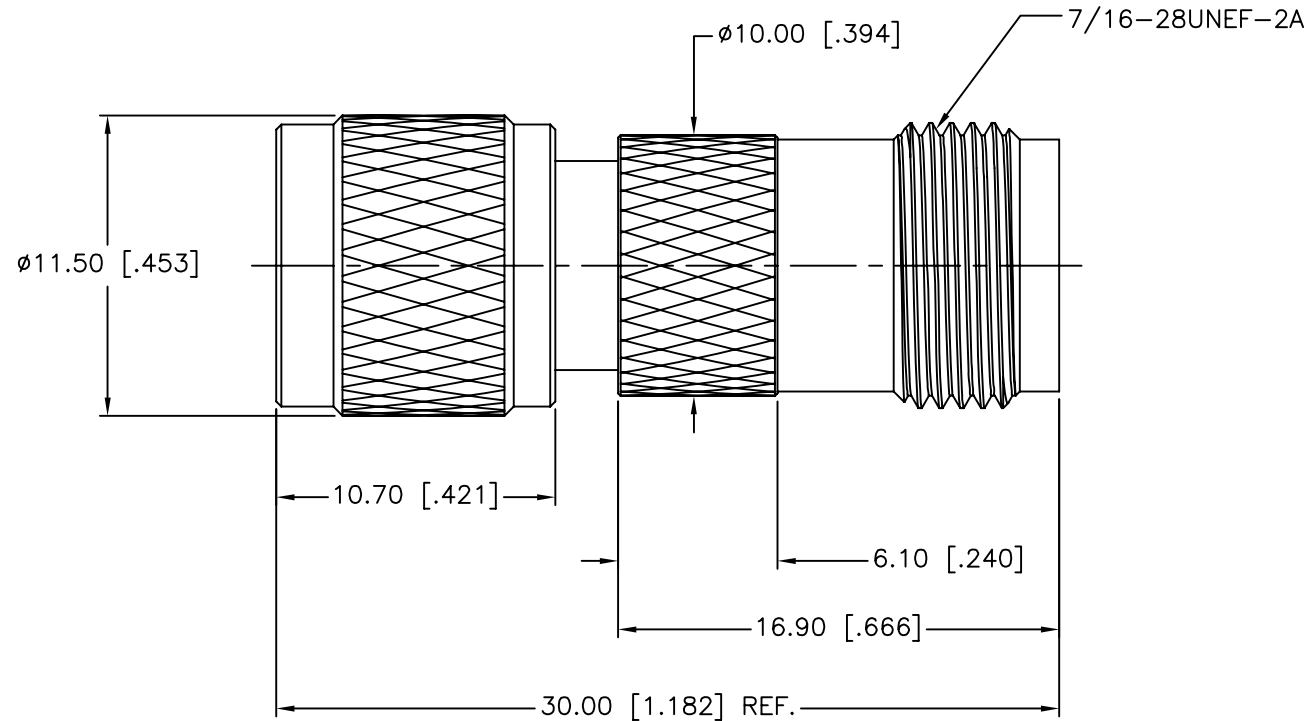


REV.	DATE	ECR NO.	DESCRIPTION
NC	03/15/10	XXXXXX	INITIAL RELEASE



SCALE
1.500



<small>UNLESS OTHERWISE SPECIFIED DIMENSIONS ARE IN MILLIMETERS. DIMENSIONS IN [] ARE IN INCHES AND FOR CUSTOMER REFERENCE ONLY.</small> <small>UNLESS OTHERWISE SPECIFIED TOLERANCES FOR MILLIMETERS ARE:</small> 0.5 - 8mm \pm 0.20mm 8 - 30mm \pm 0.40mm 30 - 120mm \pm 0.50mm <small>UNLESS OTHERWISE SPECIFIED TOLERANCES FOR INCHES ARE:</small> .020 - .315 = \pm 0.007" .315 - 1.180 = \pm 0.015" 1.180 - 4.724 = \pm 0.020" DO NOT SCALE DRAWING	APPROVALS	DATE
	DRAWN K.LI	03/15/10
	CHECKED	
	ISSUED	
	SHEET 1 OF 1	
CAD FILE	C:/CONNEX/242242.DWG	

Amphenol Connex

PART DESCRIPTION			
MINI UHF MALE TO TNC FEMALE ADAPTER (50 OHM)			
PART NO. 242242			
DWG. NO.	242242.DWG	REV.	NC
SIZE	A	SCALE	NA

QTY	FINISH	MATERIAL	DESCRIPTION
1	NICKEL	BRASS	BODY
1	NATURAL	PTFE	INSULATOR
1	GOLD	BERYLLIUM COPPER	CONTACT PIN