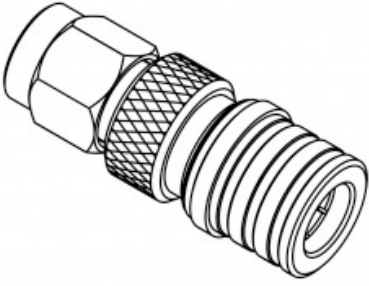


242260

Adapter, QMA Plug to SMA Plug, 50  
Ohms



### Product Description

---

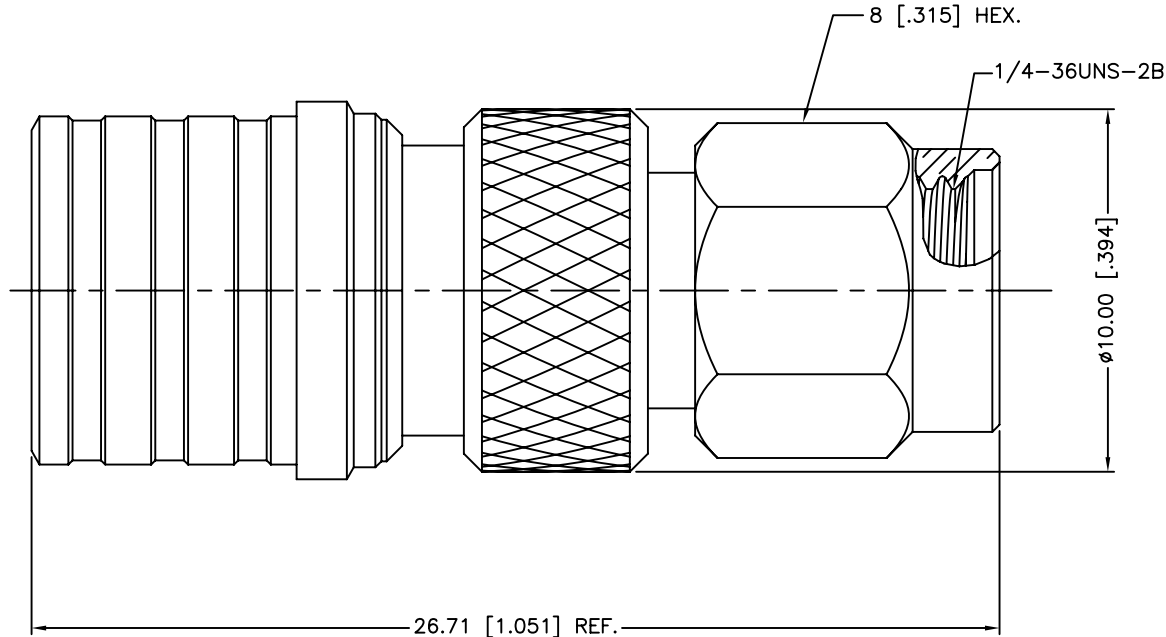
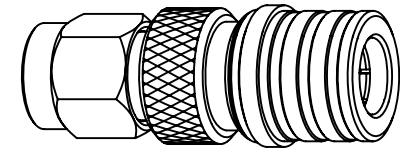
Adapter, QMA Plug to SMA Plug, 50 Ohms

### Product Specifications

---

Orientation	Straight
Adapter Side 1 Series	QMA
Adapter Side 1 Style	Plug
Adapter Side 2 Series	SMA
Adapter Side 2 Style	Plug
Insulator Material	PTFE
Body Material	Brass
Body Finish	White Bronze
Contact Material	Brass
Contact Finish	Gold
Impedance	50 Ohm
Max Freq (Ghz)	18.0
Isolated	No
RoHS Compliant	Yes
REACH Compliant	Yes

REV.	DATE	ECR NO.	DESCRIPTION
NC	01/06/12	XXXXXX	INITIAL RELEASE



1. IMPEDANCE: 50 OHM
2. FREQUENCY RANGE: DC 0-18 GHz
3. VSWR(RETURN LOSS): 1.3 MAX.
4. DIELECTRIC WITHSTANDING VOLTAGE: 1000 VRMS, MIN.
5. DURABILITY: 100 CYCLES MIN.
6. TEMPERATURE RANGE: -65°C TO +165°C

8	SHELL	BRASS	NEXCOTE	1
7	GASKET	SILICONE	RED	1
6	RETAINER RING	SUS 304	NATURAL	1
5	CONTACT PIN	BRASS	GOLD	1
4	INSULATOR	PTFE	NATURAL	1
3	BODY	BRASS	NEXCOTE	1
2	OUTER CONTACT	PHOSPHOR BRONZE	NEXCOTE	1
1	SLEEVE	BRASS	NEXCOTE	1
DESCRIPTION	MATERIAL	FINISH	QTY	

UNLESS OTHERWISE SPECIFIED DIMENSIONS ARE IN MILLIMETERS. DIMENSIONS IN [ ] ARE IN INCHES AND FOR CUSTOMER REFERENCE ONLY.

UNLESS OTHERWISE SPECIFIED TOLERANCES FOR MILLIMETERS ARE:  
0.5 - 8mm ± 0.20mm  
8 - 30mm ± 0.40mm  
30 - 120mm ± 0.50mm

UNLESS OTHERWISE SPECIFIED TOLERANCES FOR INCHES ARE:  
.020 - .315 = ± 0.007"  
.315 - 1.180 = ± 0.015"  
1.180 - 4.724 = ± 0.020"

DO NOT SCALE DRAWING

APPROVALS	DATE
DRAWN M.ZHANG	01/06/12
CHECKED	
ISSUED	
SHEET 1 OF 1	
CAD FILE	C:/CONNEX/242260.DWG

<h1>Amphenol Connex</h1>			
PART DESCRIPTION <b>QMA PLUG TO SMA PLUG ADAPTER (FOR 50 OHM)</b>			
PART NO.		<b>242260</b>	
DWG. NO.	242260.DWG	REV. NC	SIZE A SCALE NA