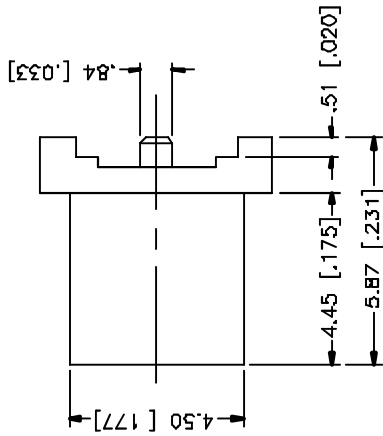
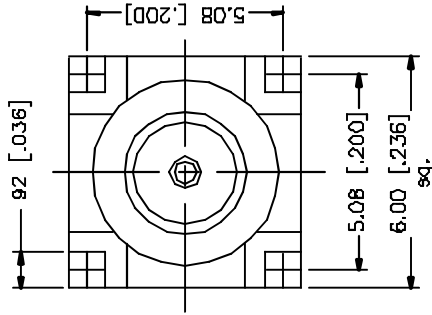
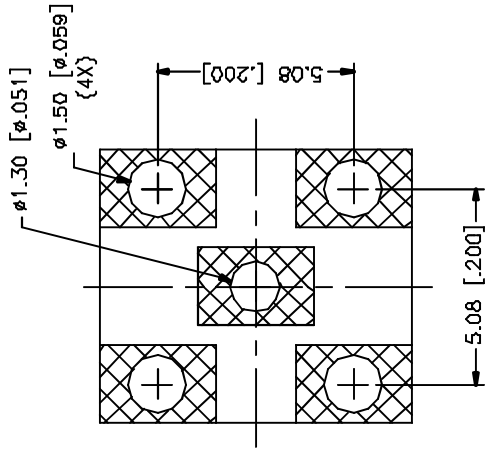


REV	DATE	DESCRIPTION
NC	08/25/04	MODIFY RECOMMENDED PCB LAYOUT



Amphenol Connex		APPROVALS	DATE	PART DESCRIPTION	
DRWIN	G.R.S.	08/25/04	MCX P.C. BOARD RECEPT. JACK SURFACE MOUNT - 75ohm		
CHECKED	PART NO				
ISSUED	252117-75				
SHEET	DWC NO				
1 OF 1	252117-75.DWG				
LOAD FILE	REV. A				
C:/252/252117-75.DWG	SIZE A				
UNLESS OTHERWISE SPECIFIED DIMENSIONS ARE IN MILLIMETERS DIMENSIONS IN () ARE IN INCHES AND PER CUSTOMER REFERENCE ONLY		DO NOT SCALE DRAWING		SCALE NA	
TOLERANCES FOR MILLIMETERS ARE		INSULATOR		TEFLON	
0.5 - 8mm ± 0.20mm		CONTACT FIN		BER. COPPER	
8 - 50mm ± 0.40mm		HOUSING/BODY		BRASS	
50 - 120mm ± 0.60mm		DESCRIPTION		MATERIAL	
UNLESS OTHERWISE SPECIFIED TOLERANCES FOR INCHES ARE		FINISH		FINISH	
.020 - .315 = ± 0.007"		NATURAL		NATURAL	
.315 - 1.180 = ± 0.015"		GOLD		GOLD	
1.180 - 4.724 = ± 0.020"		GOLD		GOLD	
QTY		QTY		QTY	
1		1		1	