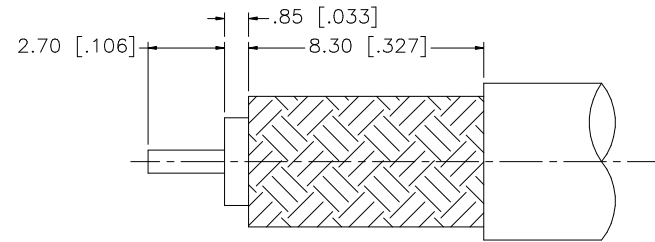
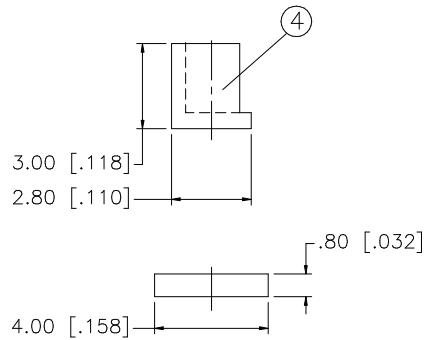
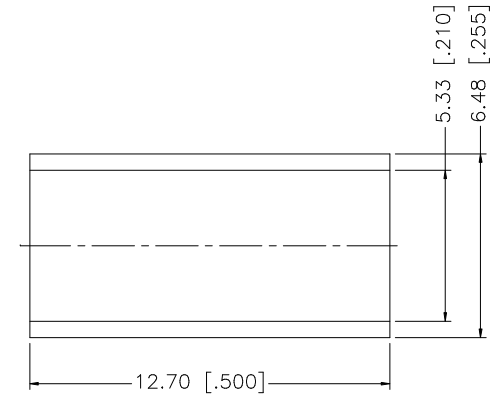
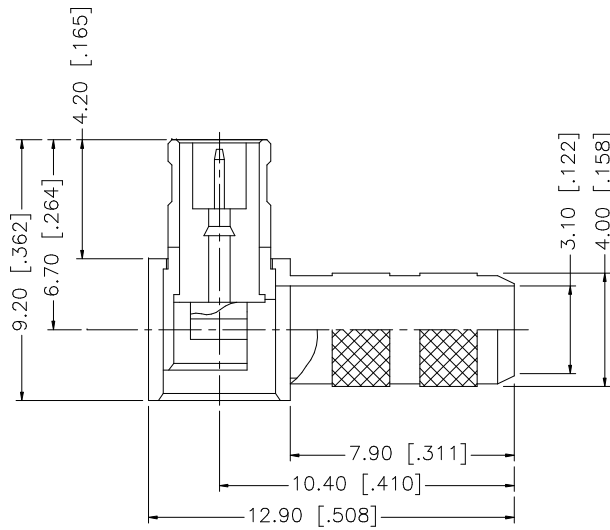
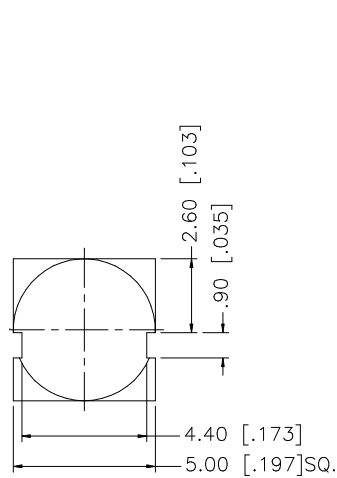


REV.	DATE	DESCRIPTION
NC	07/22/98	INITIAL RELEASE
A	10/31/05	UPDATE DRAWING FORMAT, ADD CRIMP NOTES



RECOMMENDED
CABLE STRIPPING DIM'S

NOTE:

1. CRIMPED FERRULE
HEX CRIMP SIZE .213"
2. CONTACT PIN TO SOLDER

DESCRIPTION	MATERIAL	FINISH	QTY	UNLESS OTHERWISE SPECIFIED DIMENSIONS ARE IN MILLIMETERS. DIMENSIONS IN [] ARE IN INCHES AND FOR CUSTOMER REFERENCE ONLY.	APPROVALS	DATE	<h1 style="color: blue; margin: 0;">Amphenol Connex</h1>			
8							<p style="text-align: center; margin: 0;">MCX R/A CRIMP PLUG (FOR RG-55/U, 142/U, 223/U, 400/U CABLE)</p> <p style="text-align: center; margin: 0;">PART NO. 252122</p>			
7										
6	FERRULE	COPPER	NICKEL	1						
5	COVER	BRASS	NICKEL	1						
4	INSULATOR	DELTRIN	NATURAL	1						
3	CONTACT PIN	BRASS	GOLD	1						
2	INSULATOR	TEFLON	NATURAL	1						
1	BODY	BER. COPPER	NICKEL	1						
				<p style="margin: 0;">UNLESS OTHERWISE SPECIFIED TOLERANCES FOR MILLIMETERS ARE: 0.5 - 8mm ± 0.20mm 8 - 30mm ± 0.40mm 30 - 120mm ± 0.50mm</p> <p style="margin: 0;">UNLESS OTHERWISE SPECIFIED TOLERANCES FOR INCHES ARE: .020 - .315 = ± 0.007" .315 - 1.180 = ± 0.015" 1.180 - 4.724 = ± 0.020"</p> <p style="margin: 0;">DO NOT SCALE DRAWING</p>	<p style="margin: 0;">DRAWN G.R.S.</p> <p style="margin: 0;">CHECKED</p> <p style="margin: 0;">ISSUED</p> <p style="margin: 0;">SHEET 1 OF 1</p> <p style="margin: 0;">CAD FILE C:/252/252122.DWG</p>	<p style="margin: 0;">DATE 10/31/05</p>	<p style="margin: 0;">DWG. NO. 252122.DWG</p>	<p style="margin: 0;">REV. A</p>	<p style="margin: 0;">SIZE A</p>	<p style="margin: 0;">SCALE NA</p>