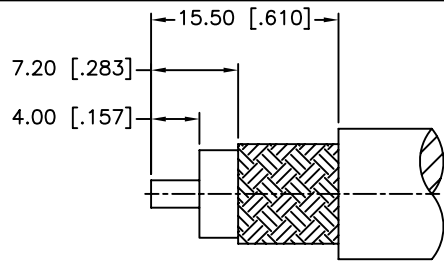
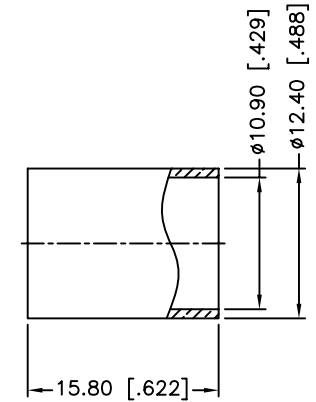
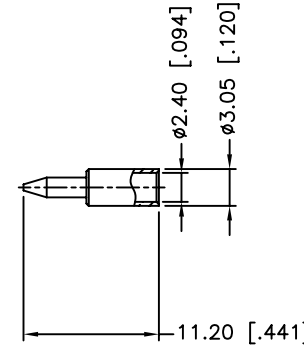
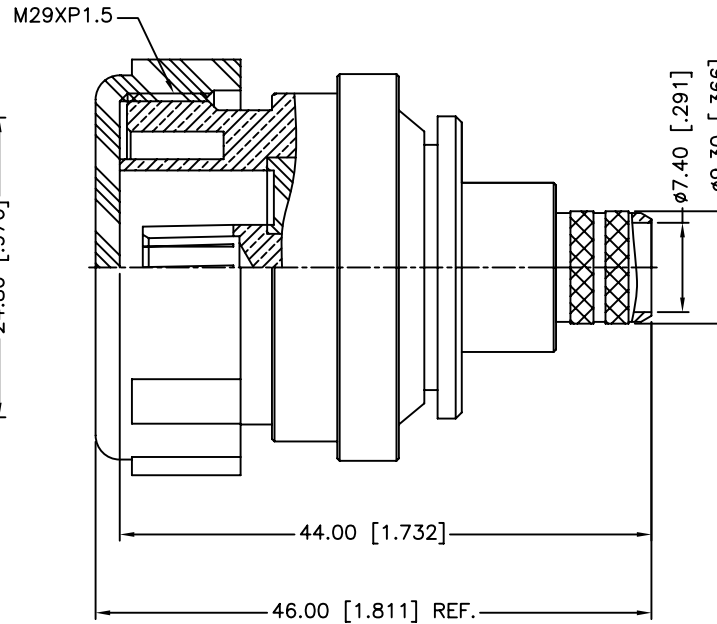
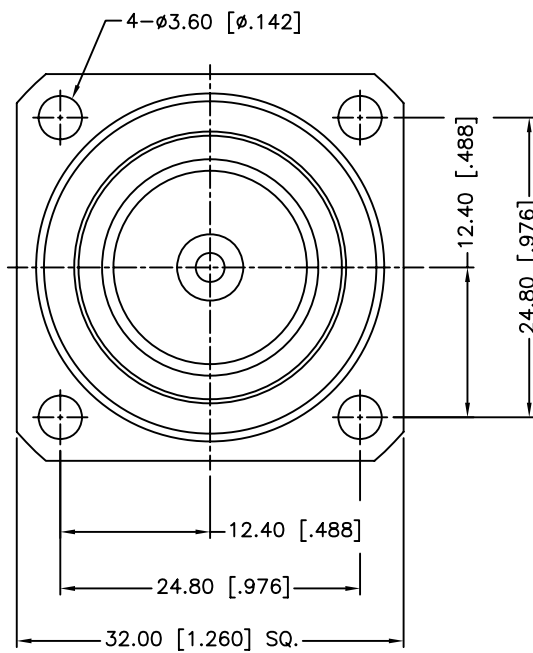


REV.	DATE	ECR NO.	DESCRIPTION
A	05/03/12	2309	UPDATE DRAWING FORMAT



RECOMMENDED  
CABLE STRIPPING DIM'S



1. IMPEDANCE: 50 OHM
2. FREQUENCY RANGE: DC 0-7.5 GHz
3. VSWR(RETURN LOSS): 1.3 MAX.
4. DIELECTRIC WITHSTANDING VOLTAGE: 4000 VRMS, MIN.
5. DURABILITY: 500 CYCLES MIN.
6. TEMPERATURE RANGE: -65°C to +165°C
7. CRIMPED FERRULE  
HEX CRIMP SIZE .429"
8. CONTACT PIN TO SOLDER

8	COVER	PE	BLUE	1
7	FERRULE	BRASS	NEXCOTE	1
6	CONTACT PIN	BRASS	SILVER	1
5	BODY	BRASS	NEXCOTE	1
4	GASKET	SILICON RUBBER	RED	1
3	CONTACT PIN	BERYLLIUM COPPER	SILVER	1
2	INSULATOR	PTFE	NATURAL	1
1	BARREL	BRASS	NEXCOTE	1
	DESCRIPTION	MATERIAL	FINISH	QTY

UNLESS OTHERWISE SPECIFIED DIMENSIONS ARE IN MILLIMETERS. DIMENSIONS IN [ ] ARE IN INCHES AND FOR CUSTOMER REFERENCE ONLY.

UNLESS OTHERWISE SPECIFIED TOLERANCES FOR MILLIMETERS ARE:  
0.5 - 8mm ± 0.20mm  
8 - 30mm ± 0.40mm  
30 - 120mm ± 0.50mm

UNLESS OTHERWISE SPECIFIED TOLERANCES FOR INCHES ARE:  
.020 - .315 = ± 0.007"  
.315 - 1.180 = ± 0.015"  
1.180 - 4.724 = ± 0.020"

DO NOT SCALE DRAWING

APPROVALS	DATE
DRAWN M.ZHANG	05/03/12
CHECKED	
ISSUED	
SHEET 1 OF 1	
CAD FILE	C:/CONNEX/272121.DWG

<b>Amphenol Connex</b>			
PART DESCRIPTION <b>7/16 PANEL CRIMP JACK (FOR RG-213/U CABLE)</b>			
PART NO. <b>272121</b>			
DWG. NO.	272121.DWG	REV.	NC
SIZE	A	SCALE	NA