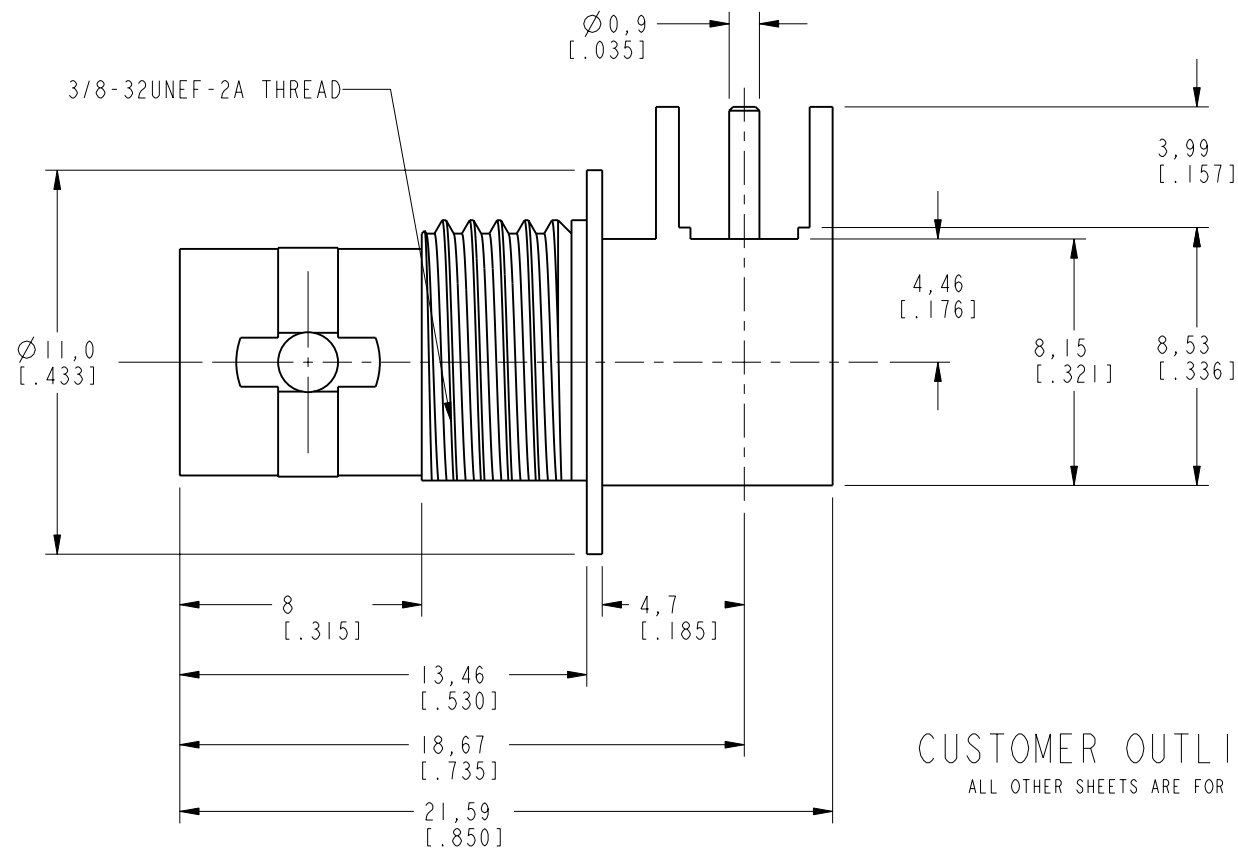
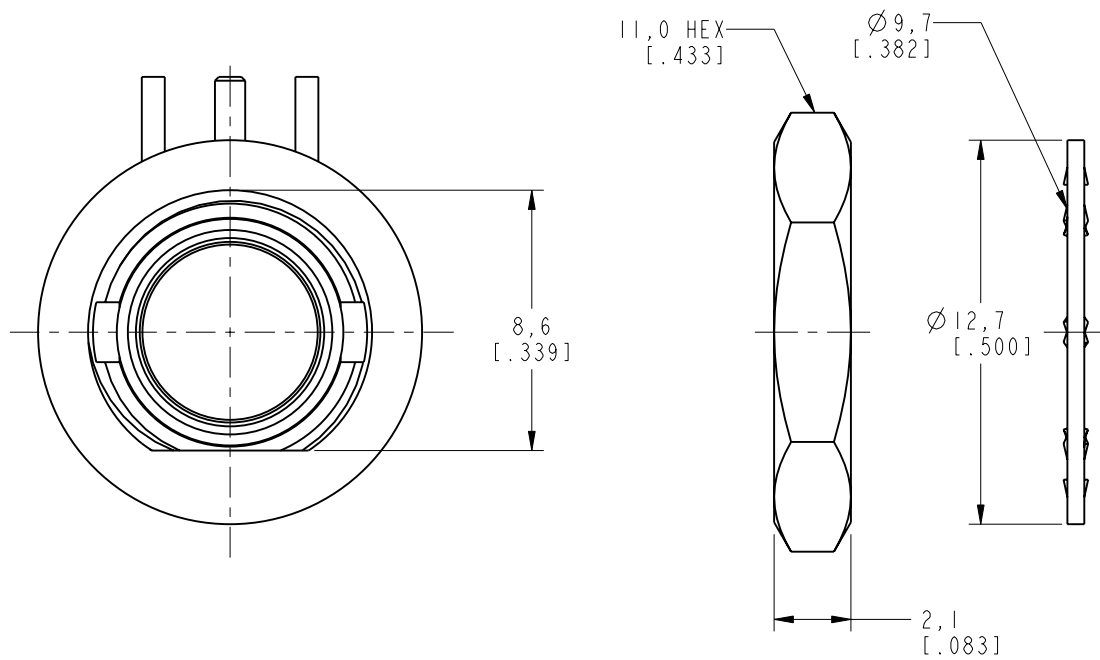
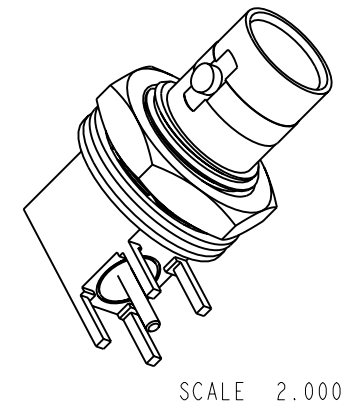
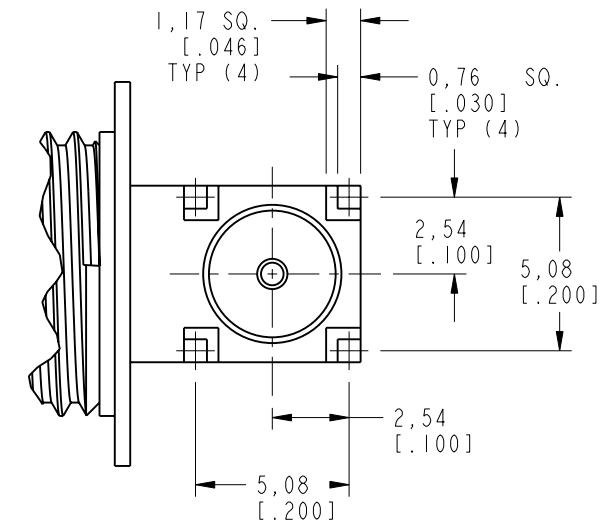
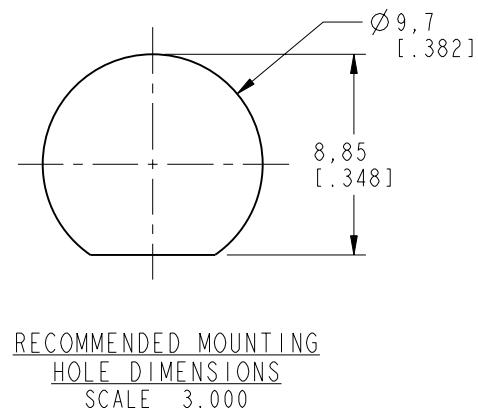
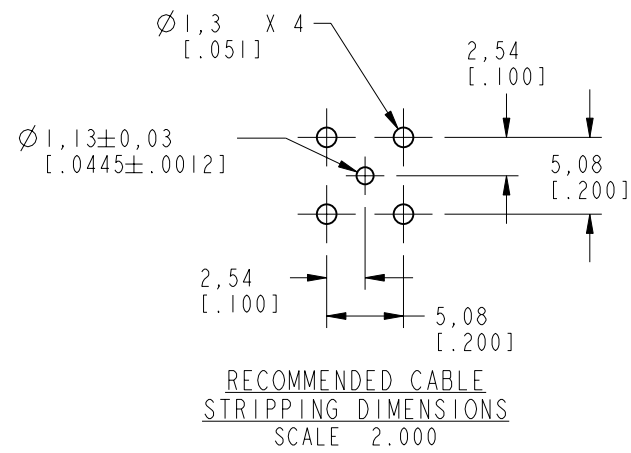


NOTES:

- MATERIALS OF CONSTRUCTION:
 HOUSING, BODY, LOCK RING & HEX NUT = BRASS (ASTM-B16 H02, C36000), NICKEL PLATED (.000100 THICK)
 CONTACT PIN = BeCu (QQ-C-530), GOLD PLATED (.000030 THICK)
 INSULATORS (2) = PTFE PER ASTM D 1710 OR EQUIV
 LOCKWASHER = BRASS (QQ-B-613), NICKEL PLATED (.000100 THICK)
- MAX. PANEL THICKNESS = 1.8mm [.071]

31-6055		REVISIONS			
DRAWING NO.	REV	DESCRIPTION	DATE	ECO	APPR
THIRD ANGLE PROJ.	A	RELEASE TO MFG.	7/26/01	43813	CPM
	B	SEE SHEET 1	2/12/03	44365	CPM
	C	SEE SHEET 1	6/11/03	44509	CPM
	D	SEE SHEET 1	4/10/06	46014	CPM



CUSTOMER OUTLINE DRAWING
ALL OTHER SHEETS ARE FOR INTERNAL USE ONLY

UNLESS OTHERWISE SPECIFIED, DIMENSIONS ARE IN MM (INCHES) AND TOLERANCES ARE:
 0.5 - 6mm ±0.2mm 6 - 30mm ±0.4mm 30 - 120mm ±0.6mm

NOTICE - These drawings, specifications, or other data (1) are, and remain the property of Amphenol Corp. (2) must be returned upon request; and (3) are confidential and not to be disclosed to any person other than those to whom they are given by Amphenol Corp. The furnishing of these drawings, specifications, or other data by Amphenol Corp., or to any other person to anyone for any purpose is not to be regarded by implication or otherwise in any manner licensing, granting rights or permitting such holder or any other person to manufacture, use or sell any product, process or design, patented or otherwise, that may in any way be related to or disclosed by said drawings, specifications, or other data.

MATERIAL
 REFERENCE
 EAR 343
 GEN# 31-6055_ASSY

DRAWN
C. McGRATH
 DATE
23-Jul-01
 ENGINEER
O. BARTHELME
 DATE
23-Jul-01
 APPROVED
O. BARTHELME
 DATE
7/26/01
 CAD FILE
I:\BNC\31-6055

TITLE
 MINI BNC R/A
 PCB MOUNT JACK
 CODE ID
74868
 DWG SIZE
B
 DRAWING NO.
31-6055

Amphenol
 Amphenol Corporation
 Communication and Network
 Products Division
 Danbury, CT U.S.A. 06810
 SCALE: 4.0:1 SHEET 2 OF 2
 REV
0