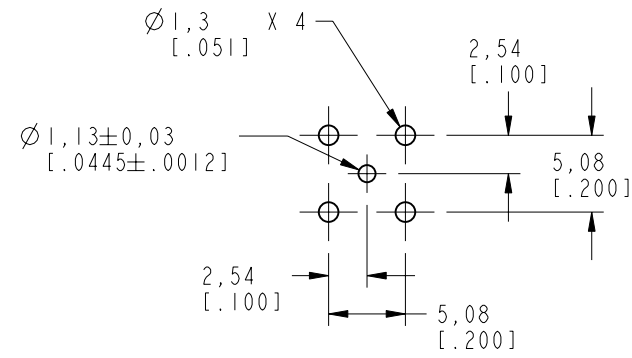


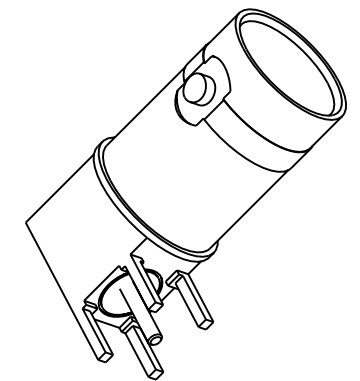
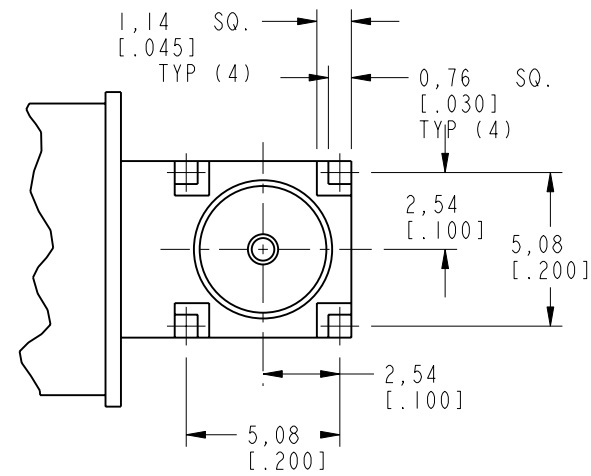
NOTES:

- MATERIALS OF CONSTRUCTION:  
 HOUSING, BODY & LOCK RING = BRASS (QQ-B-626), NICKEL PLATED (.000100 MIN THICK)  
 CONTACT PIN = BeCu, GOLD PLATED (.000030 MIN THICK)  
 INSULATORS (2) = TEFLON PER MIL-P-19468

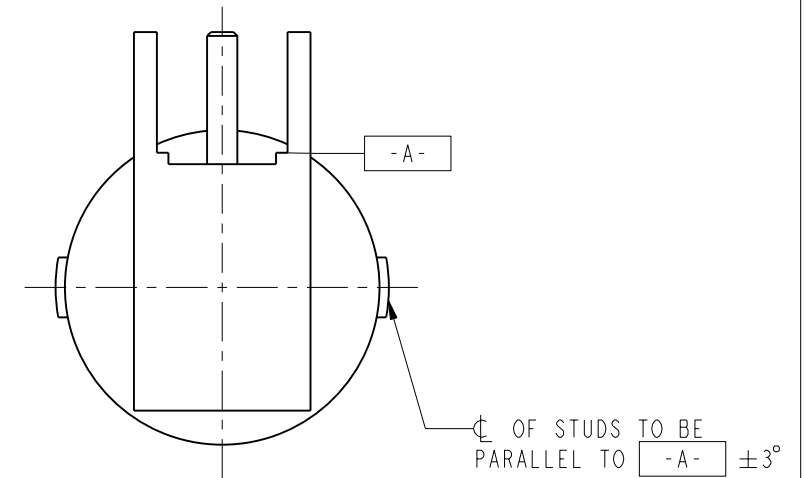
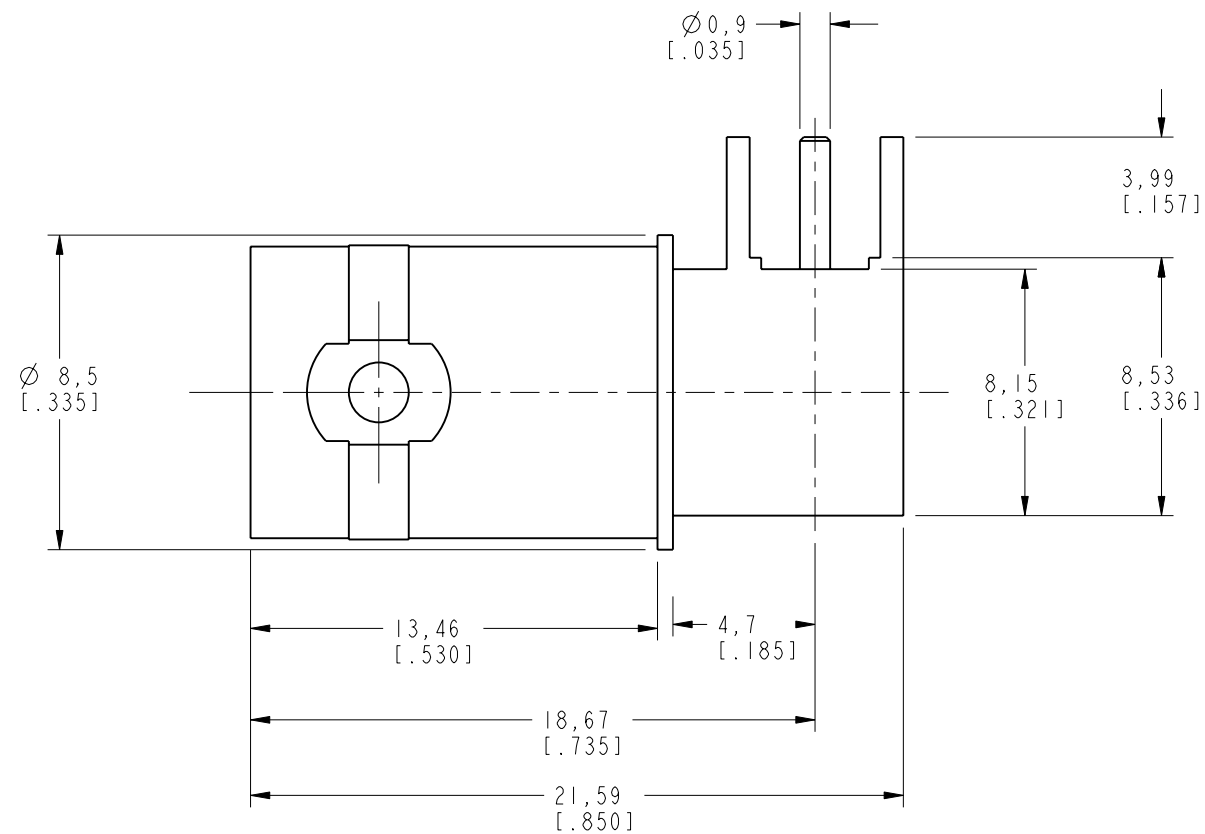
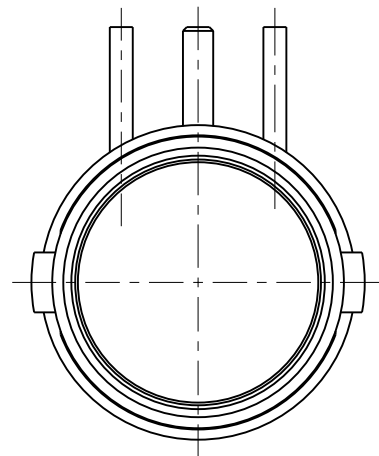
31-70255		REVISIONS			
DRAWING NO.	REV	DESCRIPTION	DATE	ECO	APPR
THIRD ANGLE PROJ.	A	RELEASE TO MFG.	12/20/01	43923	CPM



RECOMMENDED CABLE STRIPPING DIMENSIONS  
SCALE 2.000



SCALE 2.000



CUSTOMER OUTLINE DRAWING  
ALL OTHER SHEETS ARE FOR INTERNAL USE ONLY

UNLESS OTHERWISE SPECIFIED, DIMENSIONS ARE IN INCHES AND TOLERANCES ARE: 0.5 - 6mm $\pm 0.2$ mm 6 - 30mm $\pm 0.4$ mm 30 - 120mm $\pm 0.6$ mm	MATERIAL	DRAWN C. McGRATH	DATE 12/17/01	TITLE MINI BNC R/A PCB MOUNT JACK	Amphenol Amphenol Corporation Communication and Network Products Division Danbury, CT U.S.A. 06810
	REFERENCE EAR 474 GEN# 31-6055_ASSY	ENGINEER O. BARTHELME	DATE 12/17/01		
NOTICE - These drawings, specifications, or other data (1) are, and remain the property of Amphenol Corp. (2) must be returned upon request; and (3) are confidential and not to be disclosed to any person other than those to whom they are given by Amphenol Corp. The furnishing of these drawings, specifications, or other data by Amphenol Corp., or to any other person to anyone for any purpose is not to be regarded by implication or otherwise in any manner licensing, granting rights or permitting such holder or any other person to manufacture, use or sell any product, process or design, patented or otherwise, that may in any way be related to or disclosed by said drawings, specifications, or other data.		CAD FILE I:\BNC\31-70255	CODE ID 74868	DWG SIZE B	DRAWING NO. 31-70255
				SCALE: 4.0:1	SHEET 2 OF 2
				REV A	