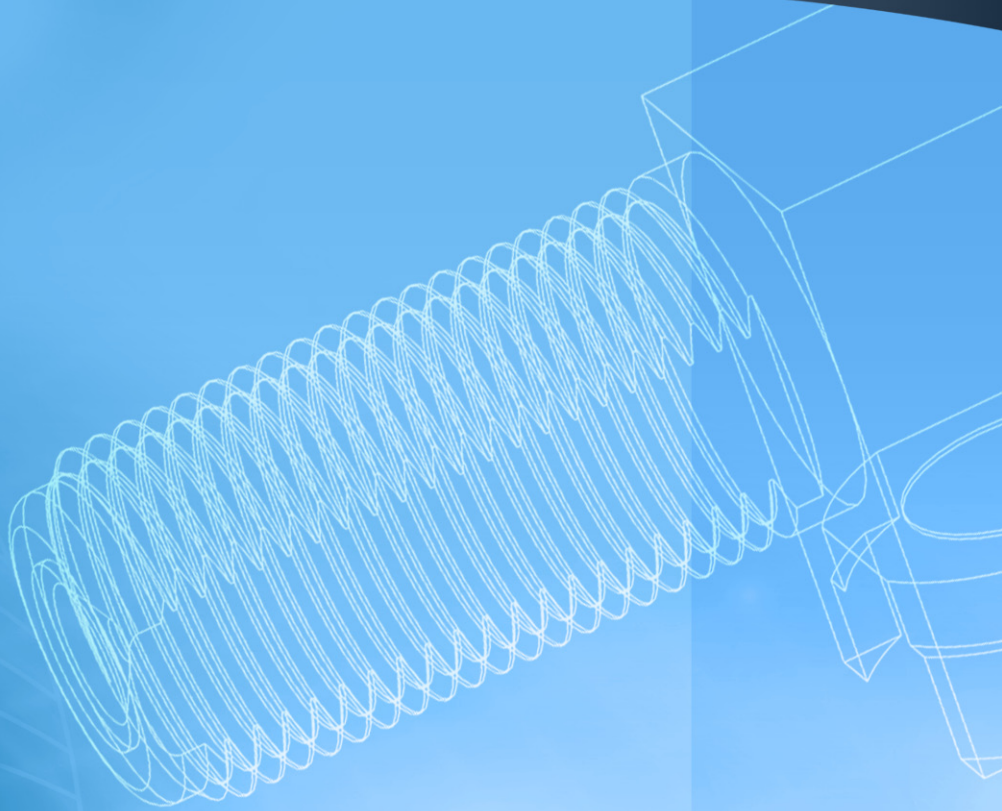


TYPE F



Type F Connectors

## **Type F Connector Series**

### **Description**

Type F connectors are miniature threaded connectors used extensively in the cable television industry. The connectors feature a 3/8-32 threaded interface, and cable mounted connectors feature crimp termination. Amphenol's line of F connectors are designed to meet the demands of high speed cable modems and customer interface units. Primary applications are for cable television (CATV), set top boxes, and cable modems.

### **Features/Benefits**

- Patent pending contact design provides a truly cylindrical coaxial contact and provides superior RF performance and excellent insertion/withdrawal characteristics.
- 30 dB return loss to 1 GHz ensures a high performance specification that outperforms competition.
- Multiple PCB mount packages: surface mount, edge mount, right angle and straight.
- Accommodates .022-.042 inch center conductor sizes.

### **Applications**

- Cable Assemblies
- CATV
- CIMS
- Head End Equipment
- High Speed Cable Modems
- Hybrid Fiber Coax Networks
- Set Top Boxes

## Type F Specifications

### Electrical

Impedance	75 Ω
Frequency range	DC - 3 GHz
Return loss	30 dB @ DC - 1 GHz
RF-leakage	100 dB minimum @ 1 GHz

### Mechanical

Mating	3/8-32 threaded coupling
Braid/Jacket cable affixment	Hex crimp
Durability (matings)	100 cycles minimum

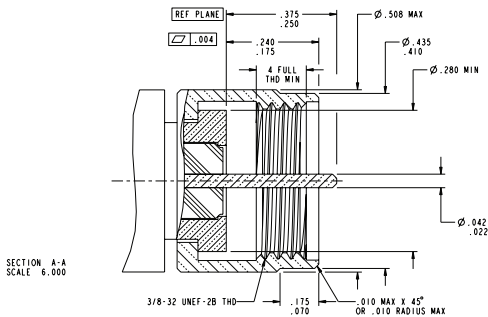
### Environmental

Temperature range	-40°C to +140°C
-------------------	-----------------

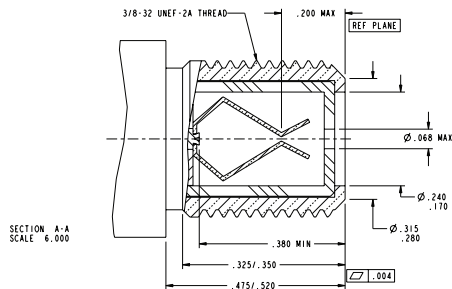
### Material

Female contact	Beryllium copper or phosphor bronze, matte tin plated
Crimp ferrule	Copper or brass, nickel or matte tin plated
Other metal parts	Brass, nickel or tin plated
Insulator	PTFE

### Plug

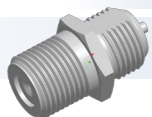


### Jack



## Receptacles

### Straight Jacks



Part Number	Body	Plating	Contact	Terminal Type
531-40001	Tin		Tin	Round (PC Board)

## Printed Circuit Board Connectors

### Straight Plugs



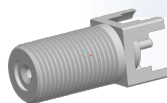
Part Number	Body	Plating	Contact	Description
531-40135	Tin		Tin	Push-On

### Straight Edge Mount Jacks



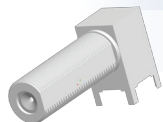
Part Number	Body	Plating	Contact
531-40035-1006	Tin		Tin
531-40039	Tin		Tin
531-40101	Nickel		Tin
531-40144	Nickel		Tin

### Straight Bulkhead Jacks



Part Number	Body	Plating	Contact	Description
531-40046-1	Tin		Tin	With Gasket & Nut
531-40046-3	Tin		Tin	Without Nut
531-40103	Tin		Tin	With Nut, Lockwasher, Gasket
531-40132	Tin		Tin	Without Nut

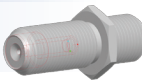
### Angle Jacks



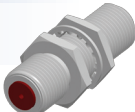
Part Number	Body	Plating	Contact	Description
531-40047-3	Tin		Tin	With Hardware
531-40047-4	Tin		Tin	Without Hardware
531-40136	Tin		Tin	
531-40156	Tin		Tin	
531-40165	Tin		Tin	Moisture Sealed

## Adapters

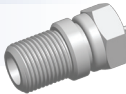
### Straight Jack-Jack

Part Number	Body	Plating	Contact	
531-40008	Tin		Tin	
531-40120	Tin		Tin	

### Bulkhead Jack-Jack

Part Number	Body	Plating	Contact	
531-40147	Tin		Nickel	

### Straight Plug-Jack

Part Number	Body	Plating	Contact	
531-40148	Tin		Nickel	

Cable Group	Cable Type
A	RG-178, 196
B	RG-174, 188A, 316, Belden 7805
B1	RG-179, 187, Belden 9221
B2	RD-188/U, RD-316/U
B3	RD-179/U, AT&T 19224L2
C	RG-58, 58A, 58C, 141, 303, LMR195, Belden 7806A, 9907
C1	RG-55, 142, 223, 400
C2	LMR200, Belden 7807A
D	RG-58/U Plenum, Thinnet, RG-122/U, Belden 88240, 89907
E	RG-59, 62, 140, 210, Belden 8241, 8263, 8279, 9209
E1	RG-59/U 20 AWG center conductor, Belden 1426A, 1505A, 9100, 9278
E2	RD-59/U, Belden 8281, 9141, 9231
E3	RG-59/U Quad Shield, Belden 1152A
F	RG-59/U Plenum, Belden 1560A, 9259, 82259, 89259, 88241
F1	RG-59/U Plenum 20 AWG center conductor, Belden 82108
G1	RG-6, 143, 212
G2	8X, LMR240, Belden 7808A, 9258
G3	LMR400, Belden 7810A, 8214, 9913
G4	RG-8, 8A, 9, 87A, 213, 214, 225, 393
G5	RD-6/U
H	RG-11
H1	Belden 1694A, 9248
H2	Belden 1859A, 7731, 8213, 9292
H3	RG-54A/U
I	AT&T 734A, Belden 1505A
I2	AT&T 735A, Belden 735A1
J	Quad 59 headend cable
K	LMR600
K2	Belden 1695A
K3	RG-122, 180, 195, Belden 1855, 1865A, 8218
L	.141 semi-rigid, RG-402/U
L2	.085, .086, .087 semi-rigid, RG-405/U
L3	.250 semi-rigid
L4	.047 semi-rigid, Belden 1674
M	1/2 inch annular corrugated
M1	1 1/4 inch annular corrugated
M2	1 5/8 inch annular corrugated
M3	7/8 inch annular corrugated
N	1/4 Helical
N1	3/8 Helical
N2	1/2 Helical
N3	7/8 inch SFC
P1	.81 mm OD micro-cable
P2	1.13 mm OD micro-cable, TCB-068
P3	1.32 mm OD micro-cable
P4	1.37 mm OD micro-cable