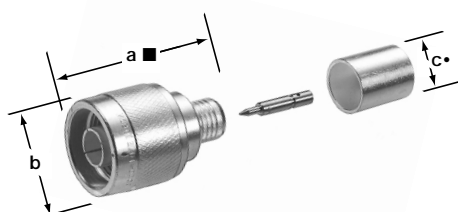


Type N Cable Attachment Method

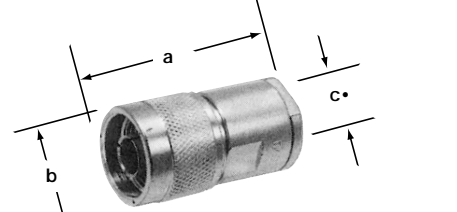
Fig. 1



Crimp-Crimp N Plugs

| | | |
|--------------------|----------------------|--------------------|
| 82-332 | 82-4425-1003 | 82-5370 |
| 82-340 | 82-4426 | 82-5375 |
| 82-340-1052 | 82-4426-11RFX | 82-5375-RFX |
| 82-340-1054 | 82-4427 | 82-5380-RFX |
| 82-4425 | 82-4427-1006 | 82-6152 |

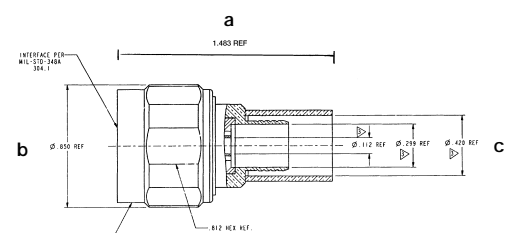
Fig. 2



Clamp N Plugs

| | |
|-------------------|--------------------|
| 82-202 | 34025 |
| 82-202-RFX | 34025-RFX |
| 82-3202 | 82-202-1006 |
| 82-312 | 82-6034 |

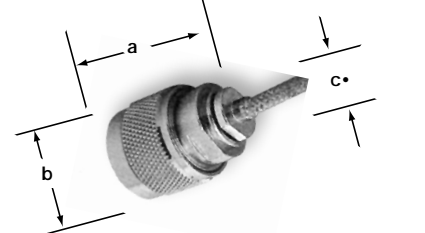
Fig. 3



Crimp-Crimp N Plugs

| | |
|---------------------|----------------|
| 82-6142-1000 | 82-6106 |
| 82-5993 | 82-6010 |

Fig. 4



Solder-Solder N Plugs

| |
|--------------------|
| 82-5955-RFX |
| 82-5956-RFX |
| 82-6124 |

N CABLE PLUGS

| Cable RG-/U | Cable Attachment | | Dimensions, inches (millimeters) | | | Construction Notes | | | | Military Number | Amphenol Number | Fig. |
|--|------------------|---------|----------------------------------|------------|------------|--------------------|------|------|------------------|-----------------|-------------------------------|------|
| | Outer | Inner | a | b | c • | CAI | Plt. | Ins. | | | | |
| 8, 213 | Crimp | Crimp | 1.48(37.7)■ | .827(21.0) | .418(10.6) | C11 | P33 | D1 | Lockwire Holes | M39012/01B0007 | 82-340 | 1 ▲ |
| 8, 9, 144, 165, 213 | Clamp | Solder | 1.50(38.1) | .827(21.0) | .444(11.3) | C8 | P1 | D9 | Lockwire Holes | UG-21E/U | 82-3202 | 2 ▲ |
| | Clamp | Solder | 1.50(38.1) | .827(21.0) | .444(11.3) | C8 | P1 | D1 | Captivated Cont. | UG-1185/U | 82-312 | 2 ▲ |
| 8, 9, 144, 165, 213, 214, 216, 225 | Clamp | Solder | 1.50(38.1) | .827(21.0) | .444(11.2) | C8 | P1 | D1 | Lockwire Holes | UG-21D/U | 82-202 | 2 ▲ |
| | Clamp | Solder | 1.50(38.1) | .827(21.0) | .437(11.1) | C8 | P7 | D1 | — | — | 82-202-RFX | 2 ▲ |
| 9, 214 | Crimp | Crimp | 1.48(37.7)■ | .827(21.0) | .438(11.1) | C11 | P34 | D1 | Lockwire Holes | M39012/01B0008 | 82-332 | 1 ▲ |
| 9, 214, 225, 393 | Crimp | Crimp | 1.54(39.1)■ | .827(21.0) | .438(11.1) | C11 | P15 | D1 | — | — | 82-4425-1003 | 1 ▲ |
| 55, 142, 223 | Crimp | Crimp | 1.37(34.9)■ | .827(21.0) | .220(5.6) | C11 | P15 | D1 | Lockwire Holes | — | 82-5370 | 1 ▲ |
| 58, 141 | Crimp | Crimp | 1.48(37.7)■ | .827(21.0) | .206(5.2) | C11 | P17 | D1 | Lockwire Holes | — | 82-5375 | 1 ▲ |
| | Crimp | Crimp | 1.36(34.6)■ | .827(21.0) | .210(5.3) | C11 | P7 | D1 | — | — | 82-5375-RFX | 1 ▲ |
| 58, 141, 142A, 400 | Clamp | Solder | 1.38(34.9) | .827(21.0) | .219(5.4) | C8 | P1 | D1 | Lockwire Holes | UG-536B/U | 34025 | 2 ▲ |
| | Clamp | Solder | 1.31(33.2) | .827(21.0) | .212(6.4) | C8 | P7 | D1 | — | — | 34025-RFX | 2 ▲ |
| 142, 142B, 400 | Crimp | Crimp | 1.38(35.0)■ | .827(21.0) | .220(5.6) | C11 | P15 | D1 | — | — | 82-4427-1006 | 1 ▲ |
| 142, 400 | Crimp | Crimp | 1.45(36.9)■ | .827(21.0) | .220(5.6) | C11 | P34 | D1 | Lockwire Holes | M39012/01-0503 | 82-4427 | 1 ▲ |
| 213 | Crimp | Crimp | 1.45(36.9)■ | .827(21.0) | .418(10.6) | C11 | P34 | D1 | Lockwire Holes | M39012/01-0502 | 82-4426 | 1 ▲ |
| 214, 225, 393 | Crimp | Crimp | 1.45(36.9)■ | .827(21.0) | .438(11.1) | C11 | P33 | D1 | Lockwire Holes | M39012/01-0501 | 82-4425 | 1 ▲ |
| Belden 9913, 9914 | Crimp | Crimp | 1.48(37.7)■ | .827(21.0) | .418(10.6) | C11 | P15 | D1 | — | — | 82-340-1052 | 1 ▲ |
| B9913, Amph TWB 4001 | Clamp | Solder | 1.50(38.1) | .827(21.0) | .443(11.2) | C8 | P1 | D1 | — | — | 82-202-1006 | 2 ▲ |
| LMR400, TWB 4001 | Crimp | Crimp | 1.49(37.8)■ | .850(21.6) | .418(10.6) | C11 | P1 | D9 | Hex Coupling | — | 82-6142-1000 | 3 ▲ |
| LMR600, TWB 6001 | Crimp | Crimp | 1.98(50.3)■ | .930(23.6) | .625(15.9) | C11 | P34 | D9 | Hex Coupling | — | 82-5993 | 3 ▲ |
| LMR240, TWB 2401 | Crimp | Crimp | 1.41(35.8)■ | .850(21.6) | .261(6.6) | C11 | P15 | D1 | Hex Coupling | — | 82-6106 | 3 ▲ |
| LMR240, TWB 2401 | Crimp | Preassy | 1.41(35.8)■ | .850(21.6) | .261(6.6) | C11 | P34 | D1 | Hex Coupling | — | 82-6010 | 3 ▲ |
| 59, 62 | Crimp | Crimp | 1.36(34.6)■ | .827(21.0) | .261(6.6) | C11 | P7 | D1 | — | — | 82-5380-RFX | 1 ▲ |
| 174, 188, 316 | Crimp | Crimp | 1.41(35.8)■ | .827(21.0) | .125(3.2) | C11 | P7 | D1 | — | — | 82-6034 | 3 ▲ |
| LMR 240, TWB2401 | Crimp | Crimp | 1.17(29.8) | .827(21.0) | .220(5.6) | C11 | P7 | D1 | — | — | 82-6152 | 1 ▲ |
| 402 (.141 S/R) | Solder | Solder | 1.19(30.3) | .826(21.0) | .141(3.6) | C9 | P7 | D1 | — | — | 82-5955-RFX | 4 ▲ |
| 405 (.086 S/R) | Solder | Solder | 1.19(30.3) | .826(21.0) | .086(2.2) | C9 | P7 | D1 | — | — | 82-5956-RFX | 4 ▲ |
| 401 (.250 S/R) | Solder | Solder | 1.19(30.3) | .826(21.0) | .250(6.35) | C9 | P7 | D1 | — | — | 82-6124 | 4 ▲ |
| Ethernet▼ Cables Times AA4478(FEP), AA4479(PVC); Belden 89880(FEP), 9880(PVC) | Crimp | Crimp | 1.48(37.7)■ | .827(21.0) | .437(11.1) | C11 | P7 | D1 | — | — | 82-4426-11RFX | 1 ▲ |

• accommodates cable diameter ■ includes outer ferrule ▼ Ethernet = Xerox Trademark ▲ Distributor stocked

Type N