

Distributed by:

**JAMECO<sup>®</sup>**  
**ELECTRONICS**

[www.Jameco.com](http://www.Jameco.com) ♦ 1-800-831-4242

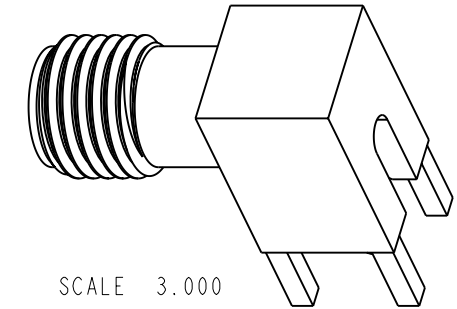
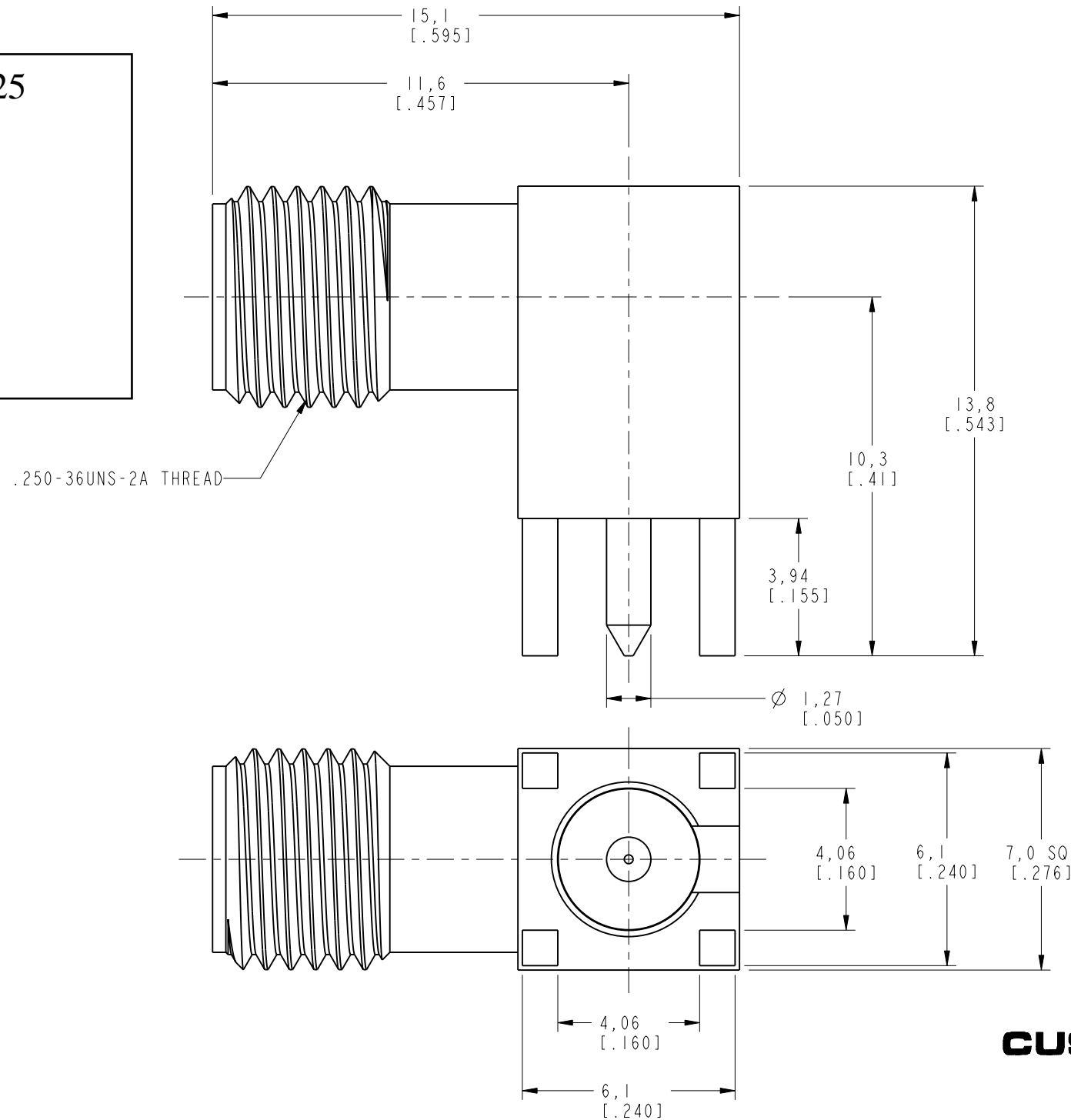
The content and copyrights of the attached  
material are the property of its owner.

NOTES:

- MATERIALS OF CONSTRUCTION:  
 HOUSING WITH BODY - BRASS (ASTM-B16 H02, C36000), GOLD PLATED (.000003 MIN) THICK  
 CONTACT PIN - BERYLLIUM COPPER (Q0-C-530, ALLOY 173 COND H), GOLD PLATED (.000050 MIN) THICK  
 INSULATORS (2) - PTFE, ASTM D 1710 OR EQUIV.

901-143-6RFX		REVISIONS			
DRAWING NO.	REV	DESCRIPTION	DATE	ECO	APPR
THIRD ANGLE PROJ.	A	RELEASE TO MFG.	1/25/01	43650	CPM
	B	ADDED .595 & .457 DIMS; UPDATE NOTE 1	8/21/02	44175	CPM

**Jameco Part Number 188525  
(901-143-6RFX)**



**CUSTOMER OUTLINE DRAWING**  
ALL OTHER SHEETS ARE FOR INTERNAL USE ONLY

UNLESS OTHERWISE SPECIFIED, DIMENSIONS ARE IN INCHES AND TOLERANCES ARE: 0.5 - 6mm ±0.2mm    6 - 30mm ±0.4mm    30 - 120mm ±0.6mm	MATERIAL	DRAWN C. McGRATH	DATE 1/11/01	TITLE SMA JACK RIGHT ANGLE PC MOUNT		Amphenol Amphenol Corporation Communication and Network Products Division Danbury, CT U.S.A. 06810	
	REFERENCE EAR 967698-0	ENGINEER O. BARTHELMS	DATE 1/11/01				
NOTICE - These drawings, specifications, or other data (1) are, and remain the property of Amphenol Corp. (2) must be returned upon request; and (3) are confidential and not to be disclosed to any person other than those to whom they are given by Amphenol Corp. The furnishing of these drawings, specifications, or other data by Amphenol Corp., or to any other person to anyone for any purpose is not to be regarded by implication or otherwise in any manner licensing, granting rights or permitting such holder or any other person to manufacture, use or sell any product, process or design, patented or otherwise, that may in any way be related to or disclosed by said drawings, specifications, or other data.	GEN# 901-143-6RFX_ASSY	APPROVED O. BARTHELMS	DATE 1/25/01	CODE ID 74868	DWG SIZE B	DRAWING NO. 901-143-6RFX	SCALE: 6.0:1    SHEET 2 OF 2
		CAD FILE I:\SMA\901-143-6RFX					REV B