

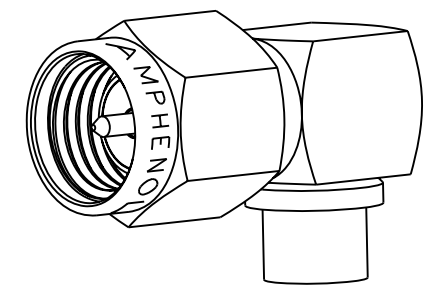
NOTES:

1. MATERIALS AND FINISHES:
 COUPLING NUT - STAINLESS STEEL, PASSIVATED
 CAP - STAINLESS STEEL, GOLD PLATING
 CONTACT - BeCu, GOLD PLATING
 INSULATOR - PTFE, NATURAL
 GASKET - SILICONE RUBBER, RED
 BODY - STAINLESS STEEL, GOLD PLATING (FOR ARFA)
 - STAINLESS STEEL, PASSIVATED (FOR RF)
 RETAINING RING - SUS 304, NATURAL (FOR ARFA)
 - BeCu, WAX DIP (FOR RF)
2. ELECTRICAL:
 A. IMPEDANCE: 50 OHM
 B. FREQUENCY RANGE: 0-18 GHz
 C. DIELECTRIC WITHSTANDING VOLTAGE: 1500 VRMS. MIN
3. MECHANICAL:
 A. DURABILITY: 500 CYCLES MIN
 B. TEMPERATURE RANGE: -65°C TO +165°C
4. PACKAGING:
 A. QUANTITY: SINGLE PACK
 B. MARKING: BAG TO BE MARKED
 "AMPHENOL RF, 901-9221-1ASF, DATE CODE"
5. CABLE ASSEMBLY INSTRUCTIONS:
 A. SEE AMPHENOL SPEC. 349-50180. SHEET 19.

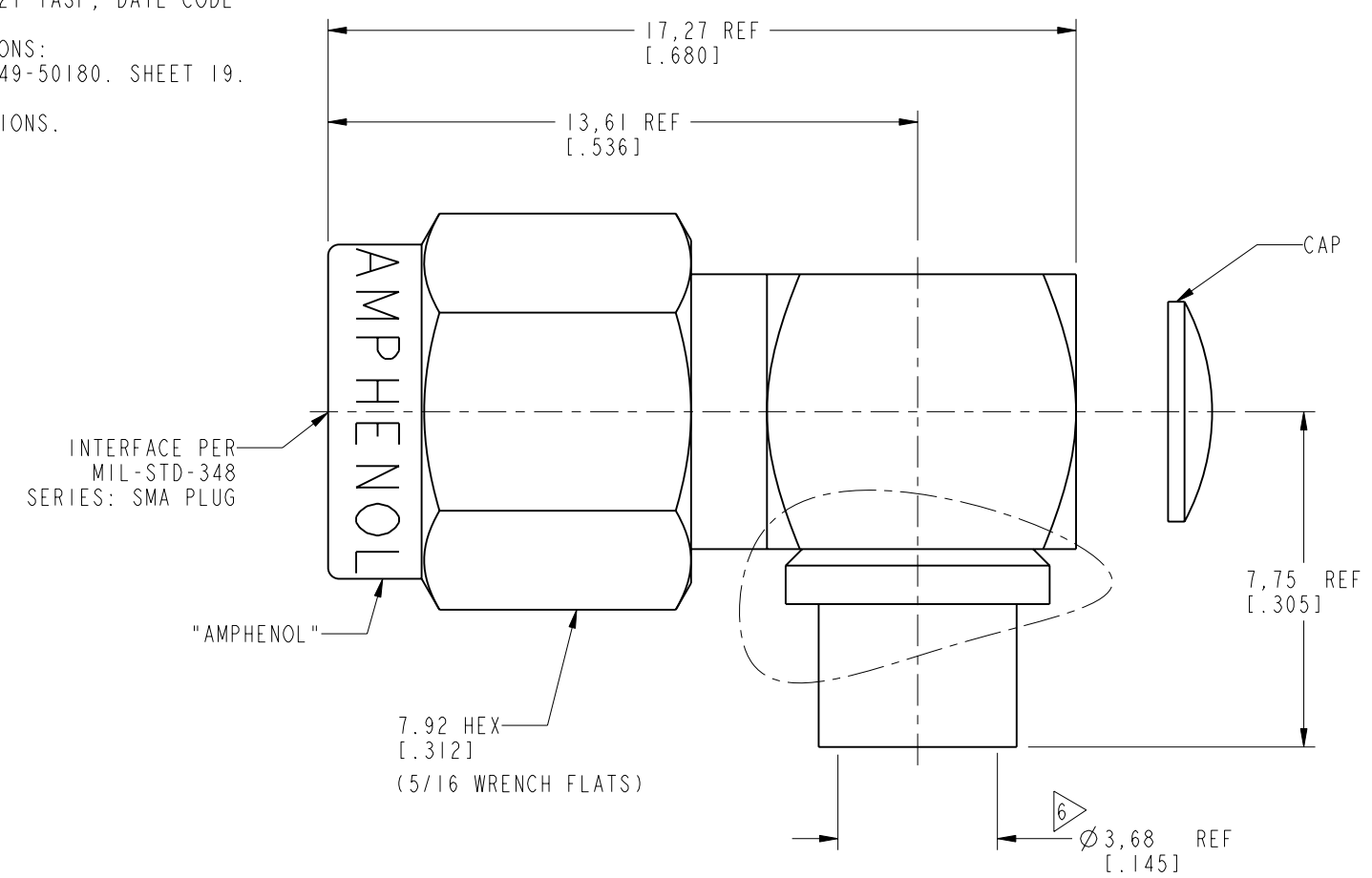
6. SHOWS CABLE ENTRY DIMENSIONS.

THIRD ANGLE PROJ.

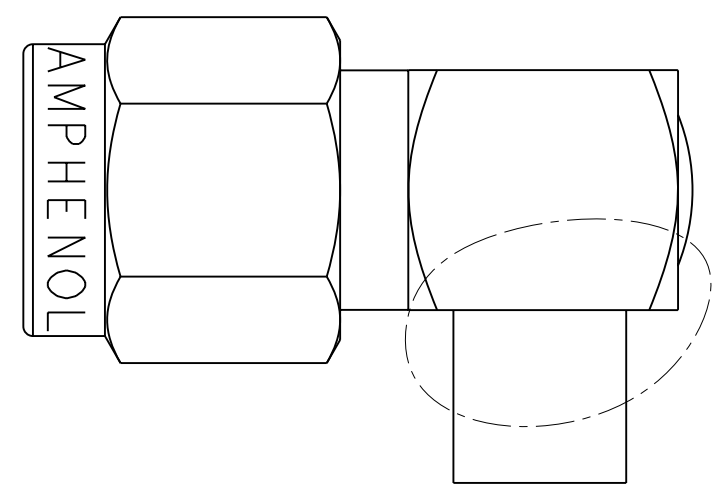
REVISIONS				
REV	DESCRIPTION	DATE	ECN	APPR
A	RELEASE TO MFG.	16-Nov-76	24870	SP
J	SYNCH THE DRAWING WITH DANBURY	04-Jun-12	48810	SH
K	NOTES UPDATED	25-Apr-18	07883	SK



SCALE 3.000



NORTH AMERICA ASSEMBLY DRAWING



ARFA ASSEMBLY DRAWING

THE DIFFERENCE IS SHOWN IN THE CIRCLE

CUSTOMER OUTLINE DRAWING
 ALL OTHER SHEETS ARE FOR INTERNAL USE ONLY

UNLESS OTHERWISE SPECIFIED, DIMENSIONS ARE IN METRIC AND TOLERANCES ARE: <0.5mm ±0.05mm 0.5 - 6mm ±0.1mm 6 - 30mm ±0.2mm 30 - 120mm ±0.3mm ANGLES ±1°	MATERIAL	DRAWN	DATE	TITLE SMA R/A PLUG FOR 0.141 SEMI-RIGID CABLE	Amphenol RF www.amphenolrf.com
	SEE NOTES	W. ZENG	27-Apr-18		
NOTICE - These drawings, specifications, or other data (1) are, and remain the property of Amphenol corp. (2) must be returned upon request; and (3) are confidential and not to be disclosed to any person other than those to whom they are given by Amphenol Corp. the furnishing of these drawings, specifications, or other data by Amphenol Corp., or to any other person to anyone for any purpose is not to be regarded by implication or otherwise in any manner licensing, granting rights to permitting such holder or any other person to manufacture, use or sell any product, process or design, patented or otherwise, that may in any way be related to or disclosed by said drawings, specifications, or other data.	REFERENCE	ENGINEER	DATE	SCALE: 10.0:1.0 SHEET 2 OF 2	DRAWING NO. 901-9221-1ASF
	EAR#	P. BRENZEL	23-Aug-00		REV
	REF: DOR 42-901-315350 & GEN# ASSYM24-SMA	APPROVED	S. HSIEH	27-Apr-18	K
CONFIGURATION LEVEL: In Work	CAD FILE	DWG SIZE			
FINISH		B			