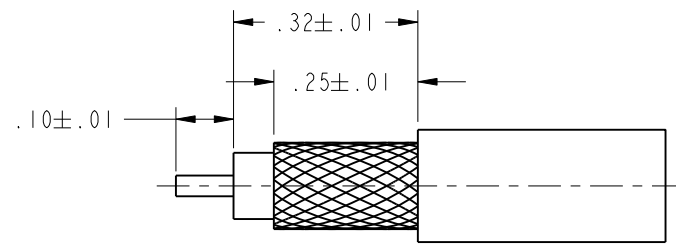
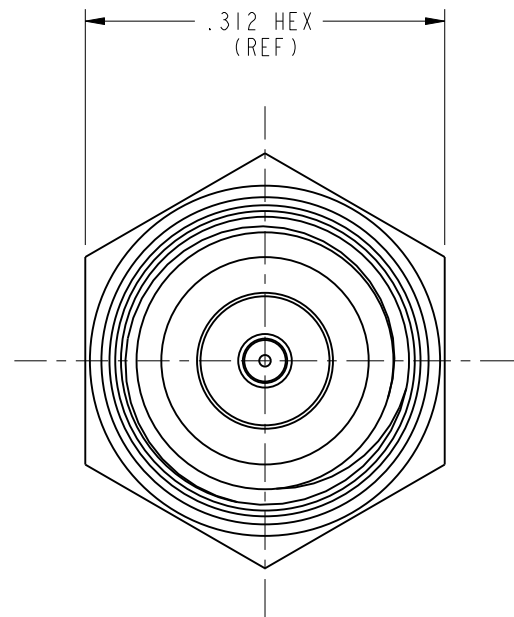


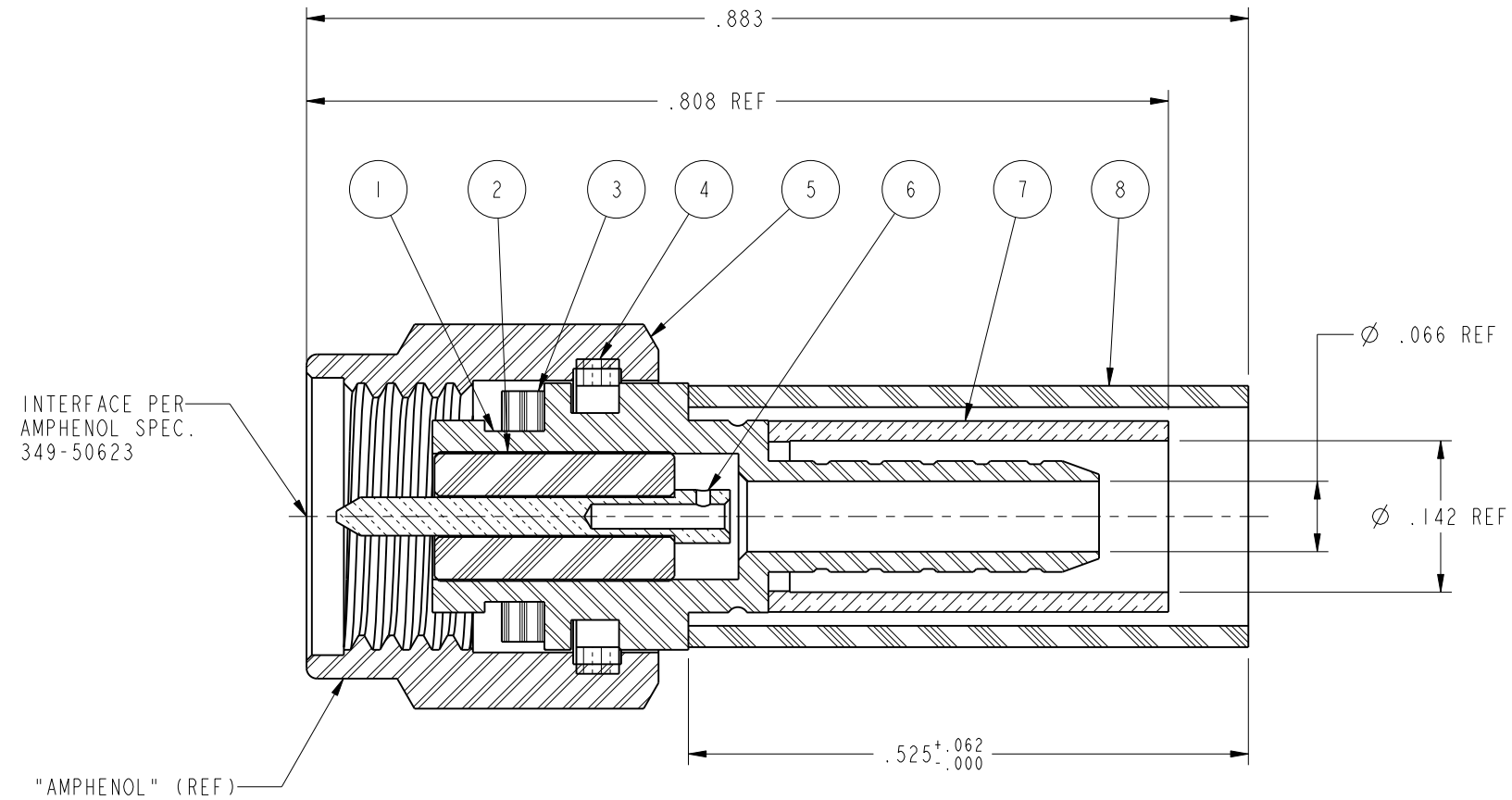
NOTES:

1. CUSTOMER NOTE: SOLDER CONTACT TO CABLE.
2. INSULATOR (ITEM 2) IS A PRESS FIT INTO BODY (ITEM 1).
3. INSULATOR TO BE FLUSH TO .010 BELOW REF. PLANE OF BODY (ITEM 1).
4. PLATING MUST CONFORM TO AMPHENOL SPEC. 349-50560.
7. COUPLING NUT (ITEM 5) MUST BE FREE FINGER TURNING & MUST WITHSTAND A PULL-OFF FORCE OF 100 LBS. AT ASS'Y.
8. ITEMS 1, 2, 3, 4, & 5 ARE TO ASSEMBLED BY AMPHENOL.
9. FOR CABLE STRIPPING DIMENSIONS & CONNECTOR ASS'Y. INSTRUCTIONS SEE AMPHENOL SPEC. 349-50180, SHEET 5.
10. CRIMP WITH AMPHENOL TOOL 227-944 & DIE SET 227-1221-37 (M22520/5-37 CLOSURE 'B').

901-9511-12SF		REVISIONS			
DRAWING NO.	REV	DESCRIPTION	DATE	ECO	APPR
THIRD ANGLE PROJ.	A	RELEASE TO MFG.	10/11/90	37601	PB/
	B	REDRAWN TO PRO-E; NOTE 3 WAS .004 BELOW	9/14/99	43109	CPM
	C	ITEM 8 WAS 901-6025-1; ADD AGILENT#	11/9/07	46818	CPM
	D	ITEM 8 QTY WAS .044 FT; .883 WAS .823, .525 WAS .465	4/29/09	47544	CPM



RECOMMENDED CABLE STRIPPING DIMENSIONS  
SCALE 3.000



9-954-359	.05 FT	8	SHRINK TUBE	BLACK
31-1357-8NA	1	7	FERRULE	NOTE 1
901-6032-1GA	1	6	CONTACT	NOTE 1
901-6554-PA	1	5	COUPLING NUT	NOTE 1
901-6165	1	4	RETAINING RING	
901-6166	1	3	GASKET	
901-5023-72	1	2	INSULATOR	
901-6169-1PA	1	1	BODY	NOTE 1
PART NUMBER	QTY.	ITEM	DESCRIPTION	FINISH

UNLESS OTHERWISE SPECIFIED, DIMENSIONS ARE IN INCHES AND TOLERANCES ARE: 2 PLACE DECIMAL ±.015 (0,381 mm) 3 PLACE DECIMAL ±.005 (0,127 mm) ANGLES ± 1°	MATERIAL	DRAWN C. McGRATH	DATE 9/2/99	TITLE CRIMP TYPE 'SMA' PLUG FOR MI7/152-00001	<b>Amphenol RF</b> Danbury, CT, USA Tainan, Taiwan Shenzhen, China <a href="http://www.amphenolrf.com">www.amphenolrf.com</a>	
	REFERENCE EAR 111-962107 AGILENT# 1250-1227 GEN# ASSYM2_SMA	ENGINEER P. BRENZEL	DATE 9/2/99			APPROVED H. PARIKH
NOTICE - These drawings, specifications, or other data (1) are, and remain the property of Amphenol Corp. (2) must be returned upon request; and (3) are confidential and not to be disclosed to any person other than those to whom they are given by Amphenol Corp. The furnishing of these drawings, specifications, or other data by Amphenol Corp., or to any other person to anyone for any purpose is not to be regarded by implication or otherwise in any manner licensing, granting rights or permitting such holder or any other person to manufacture, use or sell any product, process or design, patented or otherwise, that may in any way be related to or disclosed by said drawings, specifications, or other data.		CAD FILE I:\SMA\901-9511-12SF	CODE ID 74868	DWG SIZE B	DRAWING NO. 901-9511-12SF	REV D

SCALE: 6.0:1 SHEET 1 OF 1