

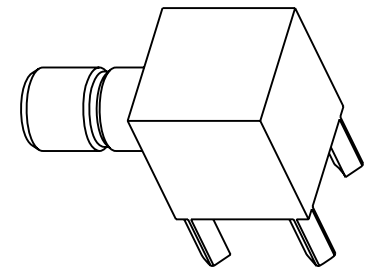
NOTES:

1. MATERIALS AND FINISHES:  
 CUBE BODY - BRASS, TIN PLATING (.000200 THICK)  
 BODY - BRASS, GOLD PLATING (.000030 THICK)  
 MALE CONTACT - BeCu, GOLD PLATING (.000030 THICK)  
 INSULATORS (2) - PTFE
2. ELECTRICAL:  
 A. IMPEDANCE: 75 OHM  
 B. FREQUENCY RANGE: DC - 2 GHz  
 C. DIELECTRIC WITHSTANDING VOLTAGE: 1000 VRMS, MIN.
3. MECHANICAL:  
 A. DURABILTIY: 500 CYCLES MIN.  
 B. TEMERATURE RANGE: 65° C TO 165° C
4. PACKAGING:  
 A. QUANTITY: SINGLE PACK  
 B. MARKING: BAG TO BE MARKED  
 "AMPHENOL, 903-601J-71P, AND DATE CODE"

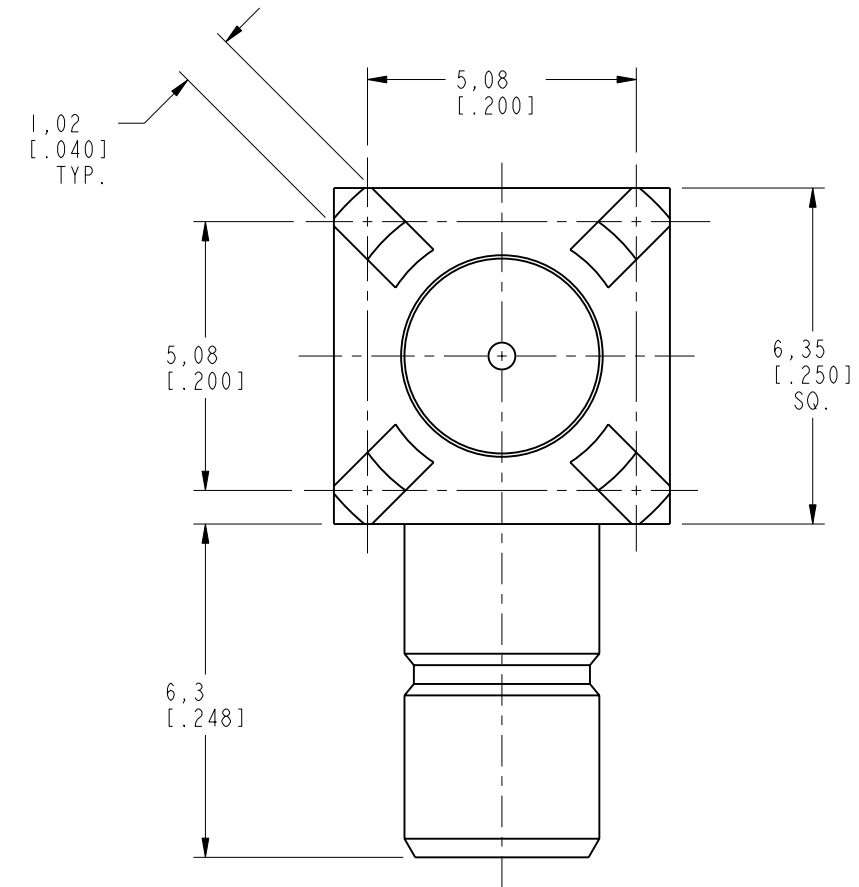
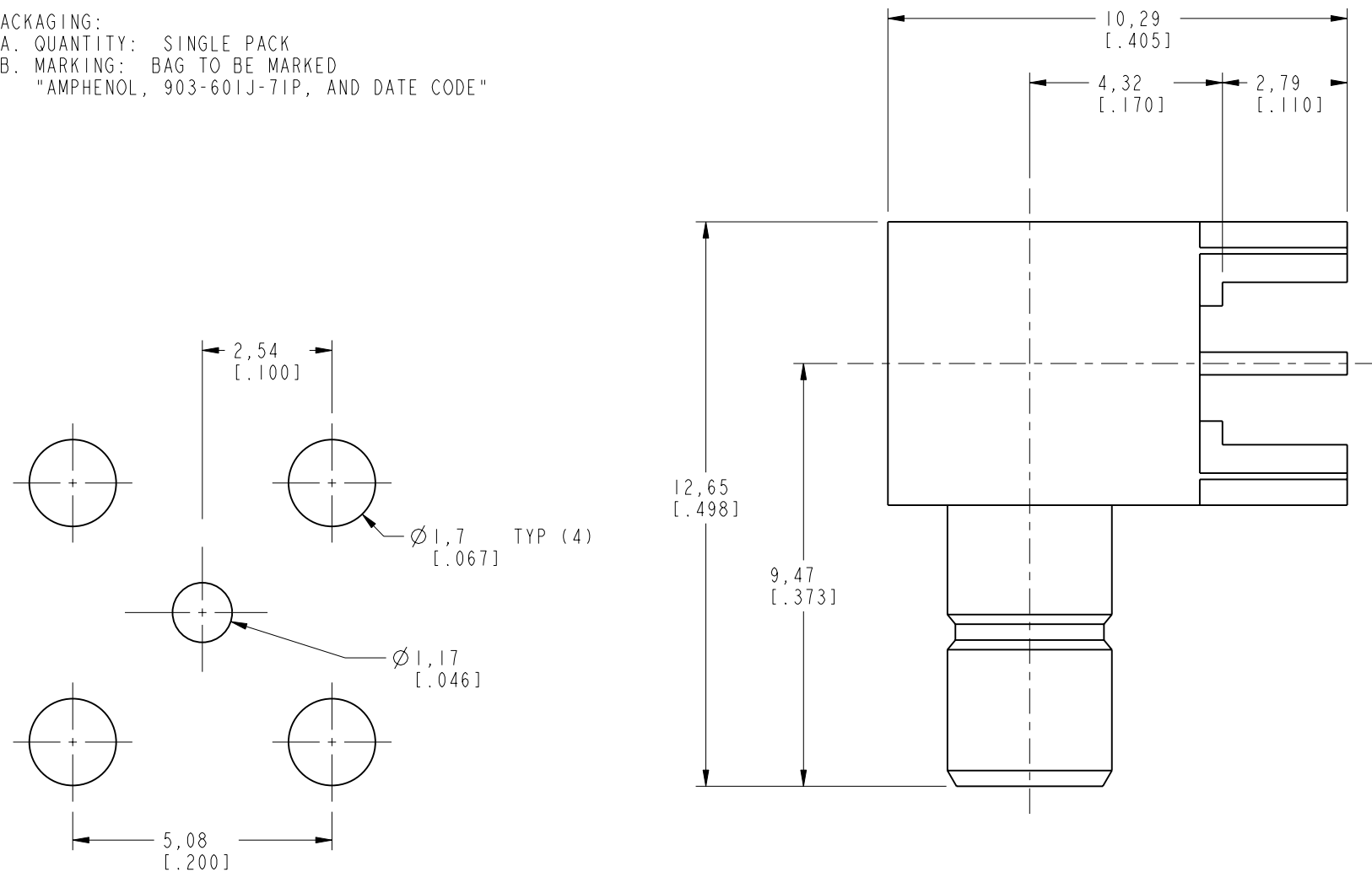
THIRD ANGLE PROJ.

REVISIONS

| REV | DESCRIPTION             | DATE      | ECO   | APPR |
|-----|-------------------------|-----------|-------|------|
| A   | RELEASE TO MFG.         | 3/29/01   | 43711 | CPM  |
| B   | ITEM 3 WAS 903-10500-TC | 2/4/05    | 45292 | KJC  |
| C   | ADD METRIC DIMENSIONS   | 07-Sep-12 | 49249 | RM   |



SCALE 3.000



**RECOMMENDED PCB MOUNTING HOLES**

SCALE 8.000

**CUSTOMER OUTLINE DRAWING**

ALL OTHER SHEETS ARE FOR INTERNAL USE ONLY

|   |                  |            |           |  |  |
|---|------------------|------------|-----------|--|--|
| UNLESS OTHERWISE SPECIFIED, DIMENSIONS ARE IN INCHES AND TOLERANCES ARE:<br>2 PLACE DECIMAL 3 PLACE DECIMAL ANGLES<br>$\pm .015$ (0,381 mm) $\pm .005$ (0,127 mm) $\pm 1^\circ$   | MATERIAL         | DRAWN      | DATE      | TITLE<br>MINI-75 OHM SMB<br>RIGHT ANGLE JACK<br>PC MOUNT | Amphenol RF<br><a href="http://www.amphenolrf.com">www.amphenolrf.com</a>  |
|   | -                | R. MAO     | 03-Sep-12 |  |  |
| NOTICE - These drawings, specifications, or other data (1) are, and remain the property of Amphenol corp. (2) must be returned upon request; and (3) are confidential and not to be disclosed to any person other than those to whom they are given by Amphenol Corp. the furnishing of these drawings, specifications, or other data by Amphenol Corp., or to any other person to anyone for any purpose is not to be regarded by implication or otherwise in any manner licensing, granting rights to permitting such holder or any other person to manufacture, use or sell any product, process or design, patented or otherwise, that may in any way be related to or disclosed by said drawings, specifications, or other data. | REFERENCE        | ENGINEER   | DATE      | SCALE: 7.0:1.0   | SHEET 2 OF 2   |
|   | EAR 164          | P. BRENZEL | 13-Mar-01 | DWG SIZE   |  |
|   | GEN# ASSYF15-SMB | APPROVED   | S. HSIEH  | 07-Sep-12  | B  |
| 615X-1638-100   | FINISH           | CAD FILE   |           |  |  |
|   |                  |            |           |  | DRAWING NO. 903-601J-71P<br>ITEM NO. 903-601J-71P<br>PART NO. 903-601J-71P |