

NOTES:

1. MATERIALS AND FINISHES:

BODY - BRASS, GOLD PLATING (.000003" MIN. THICK)
 CONTACT - BeCu, GOLD PLATING (.000005" MIN. THICK)
 INSULATOR - PTFE, NATURAL

2. ELECTRICAL:

A. IMPEDANCE: 50 OHM
 B. FREQUENCY RANGE: DC - 6 GHz
 C. D.W.V: 1000 VRMS, MIN.

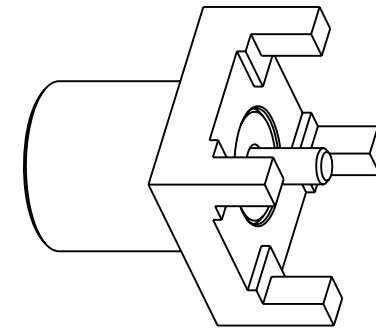
3. MECHANICAL:

A. DURABILITY: 500 CYCLES MIN.
 B. TEMPERATURE RANGE: -65°C TO +165°C

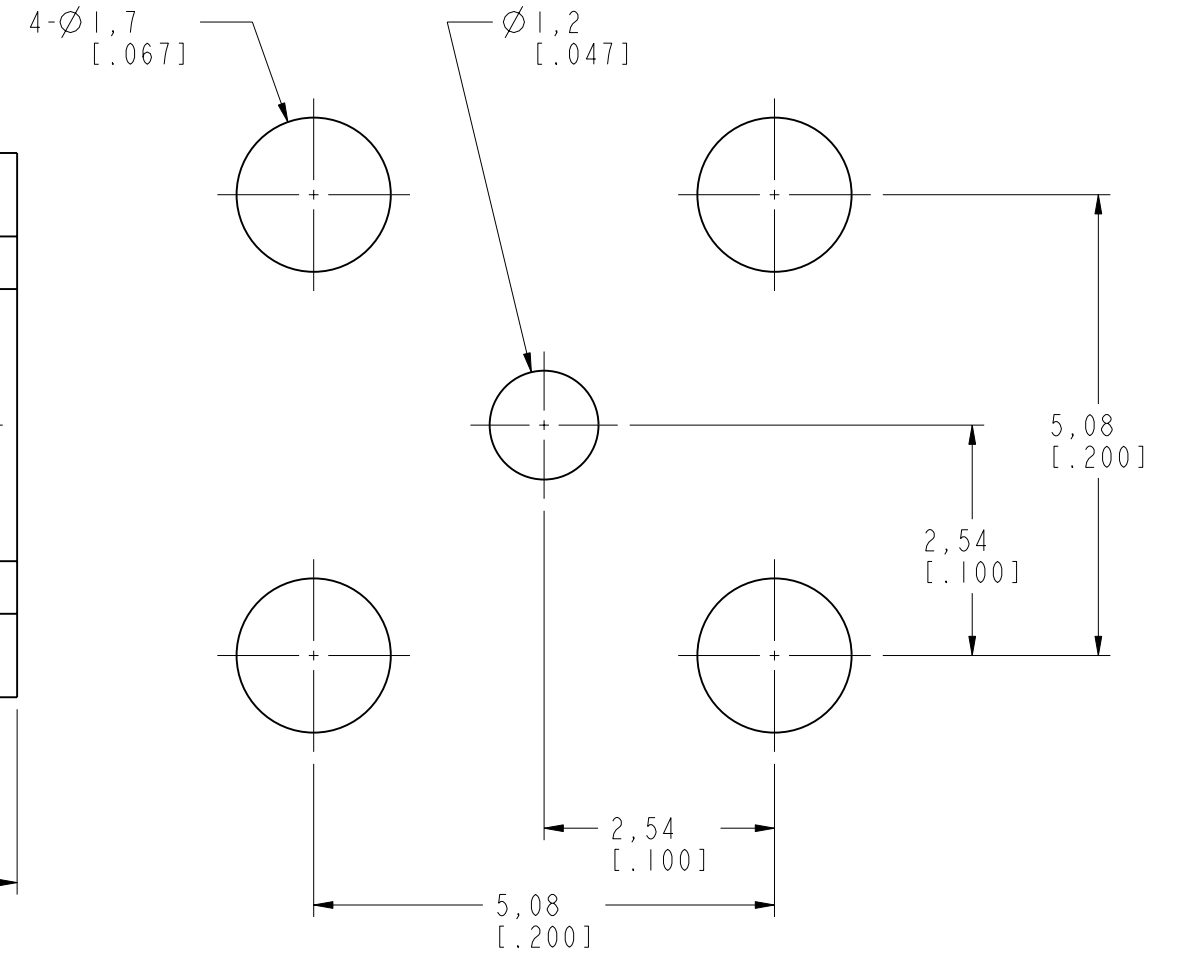
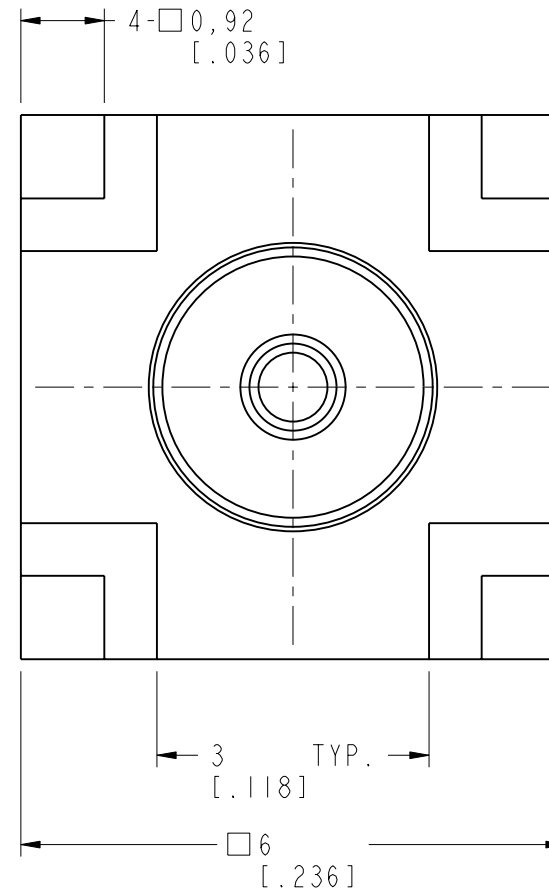
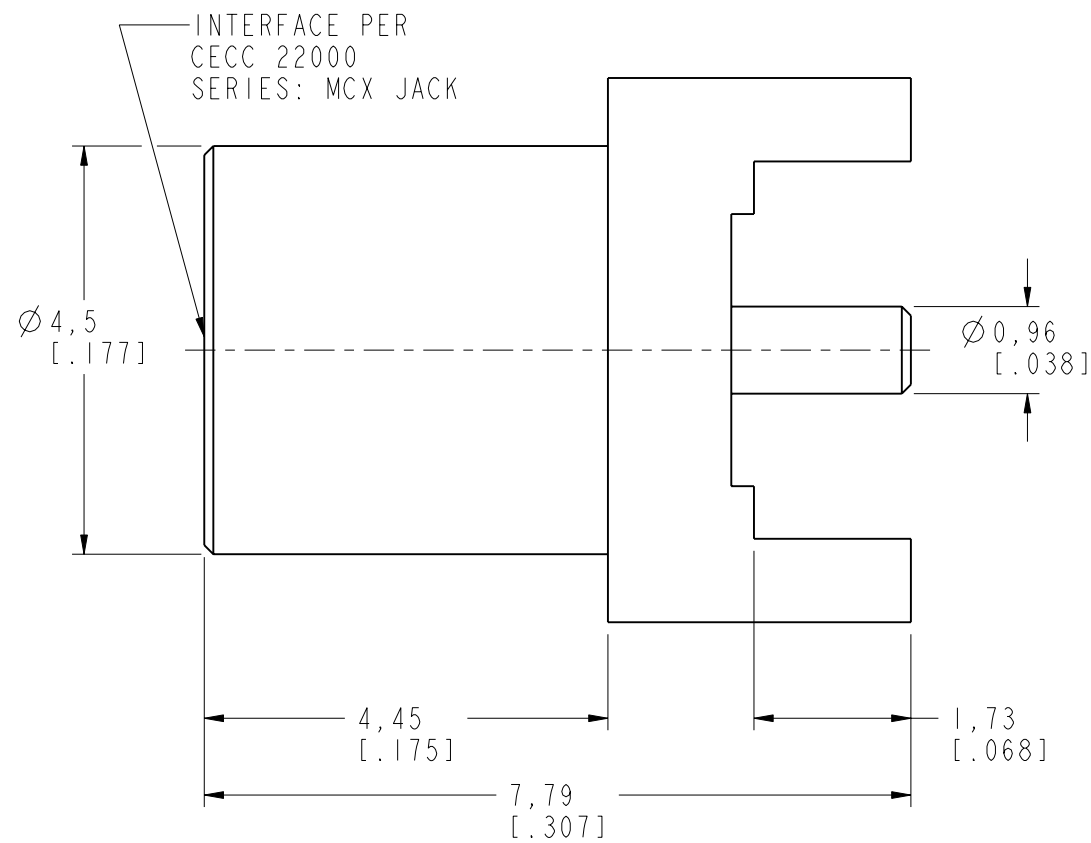
THIRD ANGLE PROJ.

REVISIONS

REV	DESCRIPTION	DATE	ECO	APPR
A	RELEASE TO MFG.	04-Jul-16	-----	MZ



SCALE 5.000



RECOMMENDED
PCB MOUNTING HOLE

CUSTOMER OUTLINE DRAWING

ALL OTHER SHEETS ARE FOR INTERNAL USE ONLY

UNLESS OTHERWISE SPECIFIED, DIMENSIONS ARE IN METRIC AND TOLERANCES ARE:
 < 0.5mm ± 0.05mm 0.5 - 6mm ± 0.1mm 6 - 30mm ± 0.2mm 30 - 120mm ± 0.3mm ANGLES ± 1°

NOTICE - These drawings, specifications, or other data (1) are, and remain the property of Amphenol corp. (2) must be returned upon request; and (3) are confidential and not to be disclosed to any person other than those to whom they are given by Amphenol Corp. the furnishing of these drawings, specifications, or other data by Amphenol Corp., or to any other person to anyone for any purpose is not to be regarded by implication or otherwise in any manner licensing, granting rights to permitting such holder or any other person to manufacture, use or sell any product, process or design, patented or otherwise, that may in any way be related to or disclosed by said drawings, specifications, or other data.

MATERIAL	-
REFERENCE AND CONFIGURATION LEVEL: In Work	
FINISH	

DRAWN M. ZHANG	DATE 04-Jul-16
ENGINEER S. DUAN	DATE 04-Jul-16
APPROVED S. HSIEH	DATE 04-Jul-16
CAD FILE	

TITLE MCX P.C. BOARD RECEPT. JACK (.068" LEGS)	
SCALE: 12.0:1.0	SHEET 2 OF 2
DWG SIZE B	REV A

Amphenol RF www.amphenolrf.com	
DRAWING NO. 919-382J-51P	
ITEM NO. 919-382J-51P	
PART NO. 919-382J-51P	